



ELECTRIC
FIRES & STOVES



A WARM WELCOME

It's never been so easy to get the warm inviting atmosphere of a real flame fire with all the convenience, versatility and efficiency of electricity.

Using the latest Flame-Effect Technology, Gazco has created a beautiful range of fires and stoves that provide a versatile and stunning focal point for any home – and all without the need for a chimney!

Whether you want to achieve a modern, contemporary look or a more classic, traditional interior, this brochure will help you make the perfect choice, whatever your style or budget.

GAZCO
Fire Your Imagination



THE GAZCO PEDIGREE



When you choose Gazco, quality and technology are assured. From contemporary hang on the wall fires to traditional stoves, Gazco are committed to creating the ultimate in realistic electric flame effects.

Our research and development laboratories are amongst the most advanced in the industry, ensuring that the very latest innovations are incorporated into our products.

Gazco is part of the Stovax Group who offer a prestigious product range which includes everything from traditional to the ultra-contemporary in a wide array of styles and sizes, so whether your choice is solid fuel, gas, or electric you can be sure to find a stove or fireplace from our range to add the perfect warmth and character to your home. Both Gazco and Stovax offer solid fuel and gas versions of several of the fires and stoves in this brochure. Full details of the Stovax Group's range of products can be found at www.stovax.com

Gazco is an ISO9001 accredited company. Our rigorous quality control system ensures that all our appliances comply with British Safety Standards as well as stringent European regulations. All fires and stoves in the brochure are CE marked. This means they have been independently tested to exacting European standards.



Warranty Information

Your Gazco retailer will provide you with a Two Year Extended Warranty for your new electric stove or fire, providing it is registered with Gazco. Please note, this warranty excludes certain consumable parts. Stoves and Fires purchased outside of Gazco's Expert Retailer Network will carry a standard One Year Warranty. Full warranty details, terms and conditions are available at www.gazco.com.





EXPERT RETAILER NETWORK

We take great care to ensure that our stoves and fires are designed, tested and manufactured to the highest possible quality and safety standards. We are just as concerned to make certain that they are sold and installed correctly so that you will enjoy years of pleasure from your purchase.

Accordingly, you will find our products are only available from experienced, independent retailers who will be happy to show you a selection of models locally in their showrooms, often fully operational. These independent retailers will discuss your individual requirements both technical (such as sizing the heat output to your room) and design, to ensure that you select the most appropriate product for your home. They will also be able to advise on, or assist with, the installation process as well as help provide any after-sales support and servicing your appliance may require in the future.

Whilst we encourage our retailers to promote fireplace products and their outlets via the internet, we do not believe suitable levels of customer care and satisfaction can be obtained from purchasing the product only online and we would strongly recommend that you consider this when undertaking your research and making a purchasing decision. Furthermore, please be aware that we do not offer technical support (beyond our statutory responsibilities) to products bought via nationwide online sales, where this support would normally be offered by one of our qualified, independent retailers.

In addition, Gazco fires and stoves purchased from within our Expert Retailer Network will have the additional benefit of an extended warranty period, subject to terms and conditions. Full details can be found at www.gazco.com.



WALL MOUNTED FIRES



STUDIO FIRES

Studio Electric Sizes.....	6 - 7
Studio Electric Glass.....	8 - 9
Studio Electric Verve.....	10 - 11
Studio Verve Colour Options.....	12 - 13
Studio Electric E-Motiv.....	14 - 15
Studio Electric Evolve.....	16 - 17

INSET FIRES



INSET FIRES

Electric Inset Fire Sizes.....	30 - 31
Studio Electric Inset.....	32 - 33
Riva2 Electric Inset.....	34 - 35
Riva2 Stone Mantels.....	36 - 37

16" FIRES



LOGIC ELECTRIC BOX PROFIL FIRES

Logic Electric Box Profil.....	38 - 39
--------------------------------	---------



LOGIC ELECTRIC FUSION & FUTURA FIRES

Logic Electric Fusion.....	40 - 41
Logic Electric Futura.....	42 - 43

INSET & WALL MOUNTED



RIVA2 670 FIRES

Riva2 670 Electric Designio2 Glass.....	18 - 19
Riva2 670 Electric Designio2 Steel.....	20 - 21
Riva2 670 Electric Evoke Glass.....	22 - 23
Riva2 670 Electric Evoke Steel.....	24 - 25
Riva2 670 Electric Verve.....	26 - 27
Riva2 670 Electric Verve XS.....	28 - 29

STOVES



TRADITIONAL STOVES

Marlborough Electric.....	44 - 45
Stockton Electric.....	46 - 47
Huntingdon 30 Electric.....	48 - 49
Clarendon Electric.....	50 - 51
Ashdon Electric.....	52 - 53



CONTEMPORARY STOVES

Steel Manhattan Electric.....	54 - 55
Riva Vision Electric.....	56 - 57



VERIFLAME™ TECHNOLOGY

Gazco's VeriFlame™ Technology enables you to switch between heat settings and even adjust the brightness of the flames to create the exact atmosphere required, from the comfort of your favourite armchair, using the remote control.



STUDIO ELECTRIC SIZES

The outstanding Studio Electric range is available in a choice of three landscape and one portrait size. With a choice of contemporary styles and simple 'hang on the wall' installation, these advanced technology electric fires can add stylish warmth to almost any room in your home with the ultimate ease. All Studio Electric fires benefit from remote operation and feature an additional thermostatic control.

Studio 1

The highly efficient Studio 1 is the most compact landscape model in the range, making it the perfect choice when you are looking for a dramatic focal point in a smaller interior. As with all Gazco Electric fires, you can tailor the atmosphere to suit your mood or occasion. On the Studio 1 you can vary the heat output between 0.9kW or 1.8kW, and you even have the option to enjoy the effect of the fire without the heat at all.

Studio 2

For effortless style and maximum impact, opt for a Studio 2 Electric fire. The larger dimensions make an eye-catching focal point on larger walls and accentuate the highly realistic LED flame effect. The Studio's remote provides complete control over the heat and flame settings from your fingertips. With a variable heat output between 0.9kW or 1.8kW, and the option of running just the flame effect by itself, the Studio 2 offers complete versatility for your home.

Studio 3

The largest fire in the range the Studio 3 offers not only a truly panoramic view of the highly realistic LED flame effect but also provides you with a maximum heat output of 1.8kW. The larger dimensions make the Studio 3 particularly suited to living spaces with more substantial proportions. Additionally, during the warmer months, you can enjoy the enticing flame effect without the heat.

Studio 22

The Studio 22 adds instant presence and vertical definition to any modern interior. With its unusual yet highly attractive portrait form, a Studio 22 Electric is perfect for the contemporary living room but equally suitable for creating a talking point in the dining room or making a designer statement in the study or office. On milder evenings, just sit back and enjoy the flickering flames without the heat or bring some cosy warmth to your room with a variable 0.45kW - 0.90kW heat output.



Studio 1

Studio Electric sizes shown with Verve frame



Studio 2



Studio 3



Studio 22

STUDIO ELECTRIC GLASS



Sleek, chic and contemporary, the Studio Electric Glass offers a distinctive focal point that will complement any stylish interior. Available in four sizes, there's a Studio Electric Glass to offer instant striking impact, whatever your room size.

Easy to fit, this designer fire can simply be hung on the wall and its shallow depth means it will only protrude minimally into your room.

A stunning flame-effect with 4 levels of brightness is available at the touch of a button on your remote control. You can alter the heat output to suit your requirements, or you can even enjoy the stunning LED flame-effects with no heat at all!

Gazco's range of Studio Electric Fires has also been uniquely developed so that the fan operation controls both the heat output and flame-effect simultaneously, offering not only product efficiency, but, also one of the quietest fan-assisted electric fires available.

Finish Choice

Black Glass

Efficiency

99%

Heat Output

Studio 1: 0.9kW - 1.8kW

Studio 2: 0.9kW - 1.8kW

Studio 3: 0.9kW - 1.8kW

Studio 22: 0.45kW - 0.9kW

(or flame effect only)

Frame Dimensions w x h x d (mm)

Studio 1: 1120 x 675 x 118

Studio 2: 1320 x 675 x 118

Studio 3: 1710 x 675 x 118

Studio 22: 675 x 1320 x 118



Remote Control

For more detailed information please see page 58.





Studio Electric 3 Verve in Graphite

STUDIO ELECTRIC VERVE



Studio Electric 1 Verve in Graphite



Studio Electric 22 Verve in Graphite
(shown without White Stones)

The stylish Studio Electric Verve has a beautifully curved frame in a choice of four stylish finishes, making a striking designer statement to be appreciated from all angles. Whether it's a luxurious living room or a stylish study, the hang-on-the-wall Studio Electric Verve is incredibly versatile with three landscape sizes and a portrait option.

This designer fire heats your room on command from your remote control. With two adjustable heat settings and four flame brightness levels, you can create the perfect atmosphere for every situation. Simply plug in your Studio Electric Verve and instantly enjoy the inviting glow created by our unique LED flame-effect technology.

The Studio Electric Verve comes with a removable White Stone fuel bed effect, so that you can select a minimalist contemporary effect without the fuel bed or a more natural look with the White Stones.

Finish Choice

Graphite
Metallic Red*
Metallic Bronze*
Ivory*

Heat Output

Studio 1: 0.9kW - 1.8kW
Studio 2: 0.9kW - 1.8kW
Studio 3: 0.9kW - 1.8kW
Studio 22: 0.45kW - 0.9kW
(or flame effect only)

Fuel Bed Effect

White Stones

Frame Dimensions w x h x d (mm)

Studio 1: 1320 x 640 x 155
Studio 2: 1520 x 640 x 160
Studio 3: 1900 x 640 x 194
Studio 22: 676 x 1320 x 156

Efficiency

99%



Remote Control

Also see images on pages 6 & 63.

For more detailed information please see page 58 & 63.

* For more information on colour options please see overleaf



STUDIO VERVE COLOUR OPTIONS



Studio Electric 2 Verve in Metallic Bronze



Studio Electric 1 Verve in Metallic Red



Studio Electric 22 Verve in Ivory

For those that want to add a splash of colour into their living space, Gazco have introduced a range of new and vibrant colour options specifically designed to complement the stylish, contemporary form of the Studio Electric Verve.

Whether to liven your living room, brighten your bedroom or even highlight your hallway, the four striking colours are sure to catch the eye and bring the wow factor to your interior space.

The colours shown on this page are available for all four Studio Electric Verve sizes which are additionally shown on pages 10 -11.

There is a choice of three eye-catching colours to choose from: Metallic Red, Metallic Bronze and Ivory. Please use the product code for the Studio Verve of your choice, with the following suffix for your chosen colour:

Metallic Red (RD) • Metallic Bronze (BZ) • Ivory (IV)

For example: Studio Electric 2 Verve in Metallic Red: 223-427RD

Finish Choice

Graphite
Metallic Red
Metallic Bronze
Ivory

Heat Output

Studio 1: 0.9kW - 1.8kW
Studio 2: 0.9kW - 1.8kW
Studio 3: 0.9kW - 1.8kW
Studio 22: 0.45kW - 0.9kW
(or flame effect only)

Fuel Bed Effect

White Stones

Frame Dimensions w x h x d (mm)

Studio 1: 1320 x 640 x 155
Studio 2: 1520 x 640 x 160
Studio 3: 1900 x 640 x 194
Studio 22: 676 x 1320 x 156



Remote Control

Efficiency

99%

For more detailed information please see page 58 & 63.

STUDIO ELECTRIC E-MOTIV



*Studio Electric 22 E-Motiv
with Black Glass and Walnut*



*Studio Electric 2 E-Motiv with
White Glass and Light Oak*

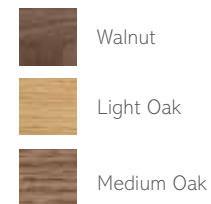


With a sophisticated two-part design, the new E-Motiv frame features a sleek glass front laid on top of a stylish timber background to create a layered and thoroughly distinctive look.

Each layer can be tailored with your choice of finish. The front is available in either black or white glass whilst a choice of real Walnut or Oak veneer finishes can be selected for the background. Each option is fully compatible so you can choose your preferred combination of glass colour and wood finish to best suit your interior décor.

The E-Motiv is available for all four sizes of the Studio Electric including the portrait Studio Electric 22. With alluring LED flame effects, the Studio Electric E-Motiv will create a warming ambience and eye-catching aesthetics with the ultimate convenience offered by a high quality electric fire.

Rear Finish Choice[†]



Walnut

Light Oak

Medium Oak

Front Finish Choice

Black Glass
White Glass

Heat Output

Studio 1: 0.9kW - 1.8kW
Studio 2: 0.9kW - 1.8kW
Studio 3: 0.9kW - 1.8kW
Studio 22: 0.45kW - 0.9kW
(or flame effect only)

Frame Dimensions w x h x d (mm)

Studio 1: 1120 x 675 x 133
Studio 2: 1320 x 675 x 133
Studio 3: 1710 x 675 x 133
Studio 22: 675 x 1320 x 133

Efficiency

99%



Remote
Control

[†] Wood is a natural material. There will be variations in shading and occasionally knots in the timbers used.

For more detailed information please see page 58.



Studio Electric 1 E-Motiv with Black Glass and Medium Oak



STUDIO ELECTRIC EVOLVE



Studio Electric 3 Evolve in Medium Oak with Black Steel infills






Studio Electric 22 Evolve in Light Oak with Brushed Steel infills

The Evolve is a stylish two-part frame that features a subtly curving front in a choice of Walnut or Oak finishes bordered by a sophisticated black steel rear.

The Evolve comes with contrasting Brushed Steel infills which fit into recesses on either side of the front of the frame, however the Studio Evolve can be further styled to your own décor by choosing from three additional infill options; White or Black finished Steel or Polished Steel. So you can alter the look of your fire whenever you want!

¹Wood is a natural material. There will be variations in shading and occasionally knots in the timbers used. For more detailed information please see page 58.

Front Finish Choice[†]

-  Walnut
-  Light Oak
-  Medium Oak

Rear Finish
Matt Black

Efficiency
99%

Remote Control



Studio Evolve Infill Finishes



- Brushed Steel (standard)
- Polished Steel (upgradable)
- Black Steel (upgradable)
- White Steel (upgradable)

Heat Output

- Studio 1: 0.9kW - 1.8kW
- Studio 2: 0.9kW - 1.8kW
- Studio 3: 0.9kW - 1.8kW
- Studio 22: 0.45kW - 0.9kW
(or flame effect only)

Frame Dimensions w x h x d (mm)

- Studio 1: 1000 x 640 x 144
- Studio 2: 1200 x 640 x 144
- Studio 3: 1590 x 640 x 144
- Studio 22: 640 x 1200 x 144



RIVA 2 670 DESIGNIO2 GLASS



Riva2 670 Electric Designio2 Glass



Riva2 670 Electric Designio2 Glass

The Designio2 Glass frame has smart, reflective black surfaces with subtle detailing and clean lines. It is a sophisticated frame that complements the landscape shape of the Riva2 670 Electric and its simple, chic design will be at home a wide array of interiors.

The sleek finish of the Designio2 Glass naturally forms an elegant frame for the enticing flame effect and highly realistic logs for a fireplace with the wow-factor.

For a streamlined aesthetic the Riva2 670 Electric can be slotted into a pre-constructed hole. Alternatively you can use the optional wall mounting box to hang your fire on the wall.

Another installation possibility for the Designio2 Glass is to mount the fire onto a hearth for a more traditional fireplace setting.

Finish Choice	Heat Output	Frame Dimensions w x h x d (mm)
Black Glass	1.0kW - 2.0kW <i>(or flame effect only)</i>	735 x 569 x 40*
Fuel Bed	Efficiency	
Log effect	99%	



Remote Control

*Depth when recessed into wall, for more information on the optional wall-mounting box please see page 61.

For more detailed information including firebox dimensions please see page 61.

RIVA 2 670 DESIGNIO2 STEEL



The Designio2 Steel is a stylish frame that has been thoughtfully shaped for the Riva2 670 Electric and sports a simple yet sophisticated design.

Finished in a choice of stylish Graphite or smart Iridium, the Designio2 Steel offers you a complete focal point with a thoroughly contemporary and cutting edge look that will complement many interiors and decors.

For a more traditional fireplace setting the Designio2 Steel can also be installed on to a hearth.

Finish Choice

Graphite
Iridium

Fuel Bed

Log effect

Heat Output

1.0kW - 2.0kW
(or flame effect only)

Efficiency

99%

Frame Dimensions w x h x d (mm)

735 x 569 x 40*



Remote Control

*Depth when recessed into wall, for more information on the optional wall-mounting box please see page 61.

For more detailed information please see page 61.



RIVA 2 670 EVOKE GLASS



*Riva2 670 Electric Evoke Glass
with White Glass front & Graphite rear*



*Riva2 670 Electric Evoke Glass with
Black Glass front & Metallic Bronze rear*

The Evoke Glass is an eye-catching frame with layers of stunning reflective glass and sophisticated steel combining to create a thoroughly stylish accompaniment to the highly efficient Riva2 670 Electric.

Choose from shining black or white glass for the front of your frame, to complement the bevelled rear steel section in Graphite which have the additional choice of colour finishes from vibrant Metallic Red, Metallic Bronze and Ivory.

All Riva2 670 Electric fires can be recessed into a pre-constructed hole for a more minimalist installation. Alternatively you can use the optional wall mounting box to hang your fire on the wall.

Front Finishes

Black Glass
White Glass

Fuel Bed

Log effect

Efficiency

99%

Rear Finishes

Graphite
Metallic Red
Metallic Bronze
Ivory

Frame Dimensions w x h x d (mm)

920 x 622 x 41*

Heat Output

1.0kW - 2.0kW
(or flame effect only)



Remote Control

*Depth when recessed into wall, for more information on the optional wall-mounting box please see page 61.

Colour options shown on pages 12 - 13 & 63.

For more detailed information please see page 61.



*Riva2 670 Electric Evoke Glass
with Black Glass front & Graphite rear*



*Riva2 670 Electric Evoke Steel
with Graphite front & Graphite rear*

R I V A 2 6 7 0 E V O K E S T E E L



*Riva2 670 Electric Evoke Steel
with Metallic Bronze front & Graphite rear*



*Riva2 670 Electric Evoke Steel
with Ivory front & Graphite rear*



*Riva2 670 Electric Evoke Steel
with Metallic Red front & Graphite rear*

The Evoke Steel is a stunning, two-part design that blends expertly into both traditional and more modern interiors. The front face of this frame comes in a stylish Graphite finish with the option for customisation in one of three exciting additional colour choices.

The attractive bevelled rear is left in Graphite to perfectly complement the standard finish on the front or form a contrasting border to any of the bold colour choices. With variable flame effect and heating settings, and the option to enjoy the flames without any heat at all, the Riva2 Evoke Steel will be as impacting in its functionality as it is in its designer aesthetics.

Front Finishes

Graphite
Metallic Red
Metallic Bronze
Ivory

Rear Finish

Graphite

Heat Output

1.0kW - 2.0kW
(or flame effect only)

Frame Dimensions w x h x d (mm)

920 x 622 x 41*

Efficiency

99%

Fuel Bed

Log effect



Remote
Control

*Depth when recessed into wall, for more information on the optional wall-mounting box please see page 61.

Colour options shown on pages 12 - 13 & 63.

For more detailed information please see page 61

RIVA 2 670 VERVE



Riva2 670 Electric Verve in Ivory



Riva2 670 Electric Verve in Graphite

The stylish Verve is a 3D frame designed to create maximum impact in your home. Designed with a gentle curving form that can be appreciated from all angles, the Verve is available in sophisticated Graphite or can be tailored to your room with one of Gazco's vibrant colour finishes: Metallic Red, Metallic Bronze or Ivory to create an even stronger style statement.

Whether it's for a sumptuous sitting room or a stylish study, with a stunningly realistic fuel effect and convenient remote control, the Riva2 670 Electric Verve can add a touch of warming luxury to your home.

There is also the smaller proportioned Verve XS shown on pages 28 - 29.

Finish Choice

Graphite
Metallic Red
Metallic Bronze
Ivory

Heat Output

1.0kW - 2.0kW
(or flame effect only)

Efficiency

99%

Frame Dimensions w x h x d (mm)

1325 x 621 x 59*

Fuel Bed

Log effect



Remote Control

*Depth when recessed into wall, for more information on the optional wall-mounting box please see page 61.

Colour options shown on pages 12 - 13 & 63.

For more detailed information please see page 61.





R I V A 2 6 7 0 V E R V E X S



*Riva2 670 Electric Verve XS in Graphite.
Also shown: Rovere Wood effect fireplace tile surround.*



Riva2 670 Electric Verve XS in Metallic Bronze

The Verve XS offers the same subtly curving form of the larger Verve frame (shown on pages 26 - 27) but with slimmer proportions to suit narrower walls or spaces.

The Verve XS comes in smart Graphite or can be finished in one of three striking additional colour options to suit your interior tastes. The highly realistic fuel bed is enhanced by Gazco's stunning flame-effect, offering all the ambiance of a real log flame in the modern convenience of a high efficiency electric fire.

Finish Choice

Graphite
Metallic Red
Metallic Bronze
Ivory

Heat Output

1.0kW - 2.0kW
(or flame effect only)

Efficiency

99%

Frame Dimensions w x h x d (mm)

1000 x 621 x 56*

Fuel Bed

Log effect



Remote Control

*Depth when recessed into wall, for more information on the optional wall-mounting box please see page 61.

Colour options shown on pages 12 - 13 & 63.

For more detailed information please see page 61.



ELECTRIC INSET FIRE SIZES

Studio Electric Inset 80

It's hard not to warm to the compact, landscape form of the Studio Inset 80. This fire provides all the dramatic presence of a cassette fire, with the proportions to suit small to medium rooms. Created using the latest technology, the Studio Electric Inset 80 has two heat settings from 1 – 2kW and variable LED flame brightness settings. All of its features are easily controlled from the comfort of your sofa, using the remote control.



Studio Electric Inset 105

The longer lines of the Studio Inset 105 make a stylish designer statement in any interior. The Studio Inset 105 has two heat settings, from 1–2kW and benefits from a beautiful LED flame effect, all controlled by the easy to use remote. With no need for a chimney, the Gazco Electric fire ranges can be used to add contemporary style to almost any room in your house.



Studio Electric Inset 150

The Studio Electric Inset 150 is the biggest landscape fire in the range and therefore more suited to larger interiors. The 1-2kW heat settings, LED flame-effect and variable brightness levels are all controlled directly from your remote so you can just sit back and appreciate this stunning fire with complete ease. With its grand proportions and stunning frameless design, the Studio Electric Inset 150 makes a truly impressive statement.



Riva2 Electric 55

The Riva2 Electric 55 has a striking square design and a flame visual to match. Designed with a stunning LED flame-effect, variable brightness and 0.5kW - 1.0kW heat settings, the Riva2 Electric 55 blends form and function, controlling it all with the remote included.



Riva2 Electric 70

The Riva2 Electric 70 has a sleek and contemporary virtually square format to extend your possibilities. The frameless design emphasises the highly realistic flame effect which has variable brightness levels.

The Riva2 Electric 70 also benefits from being compatible with Gazco's exquisite collection of Natural Stone Mantels.





STUDIO ELECTRIC INSET



Studio Electric Inset 105



Studio Electric Inset 80

The Studio Electric Inset's frameless design creates a strikingly contemporary and minimalist look. Available in three different sizes and installed completely flush with the wall, the Studio Electric Inset has the versatility to complement a wide range of stylish room designs.

Relax in your favourite arm chair and enjoy heat at the touch of a button. Designed for ultimate ease of use, you can control everything from the remote control included.

On warmer evenings you can enjoy the fire without any additional warmth as the LED flame effect can be cleverly operated independently of the heater.

Heat Output
1.0kW – 2.0kW
(or flame effect only)

Efficiency
99%

Dimensions w x h (mm)
Studio Electric Inset 80: 800 x 380
Studio Electric Inset 105: 1050 x 380
Studio Electric Inset 150: 1500 x 380



Remote Control

For more detailed information please see page 59.

RIVA2 ELECTRIC INSET



Riva2 Electric Inset 55



Riva2 Electric Inset 70



The Riva2 Electric has two square or virtually square designs but with the same clean, contemporary lines as the Studio Inset. Whatever your choice you can enjoy a beautiful flame picture through a large glass window - the ultimate modern centrepiece.

Featuring one touch heat, two adjustable heat settings and variable brightness, the Riva2 is so versatile that you can create a bespoke atmosphere for any occasion. Alternatively, you can switch off the heat and simply enjoy the authentic atmosphere created by our unique LED flame-effect technology.

You can further increase your design possibilities by pairing your Riva2 Electric 70 with a selection of timeless Riva2 Natural Stone Mantels as shown on pages 36 - 37.

Heat Output

Riva2 Electric Inset 55: 0.5kW - 1.0kW

Riva2 Electric Inset 70: 1.0kW - 2.0kW
(or flame effect only)

Efficiency

99%

For more detailed information please see page 59.

Dimensions w x h (mm)

Riva2 Electric Inset 55: 550 x 550

Riva2 Electric Inset 70: 700 x 650



Remote Control



RIVA 2 ELECTRIC STONE MANTELS



Claremont



Cavendish Bolection



Georgian Roundel



Grafton



Sandringham

For sheer elegance and ultimate sophistication, you can combine your Riva2 Electric 70 fire with one of Gazco's beautiful natural stone mantels. There are six designs to suit both traditional and modern decorative styles, each available in either the clean look of antique white marble or the gentle warmth of natural limestone.

A Riva2 Electric stone mantel provides you with the highest levels of aesthetic and tactile appeal from the hand-finished craftsmanship that goes into each and every one.

Mantel Styles

Claremont	1555 x 1143
Cavendish Bolection	1460 x 1320
Georgian Roundel	1460 x 1082
Grafton	1415 x 1165
Sandringham	1550 x 1220
Victorian Corbel	1525 x 1170

Dimensions w x h (mm)[†]

Mantel Stone Choice

Antique White Marble
Limestone

Heat Output

1.0kW - 2.0kW (or flame effect only)

Fire Dimensions w x h (mm)

700 x 650

Efficiency

99%



Remote Control

* Our stone mantels are crafted from high quality, natural material and therefore will contain naturally occurring veining, subtle tonal differences and indeed, small fossils that may be found in the limestone or marble.

[†] Overall visible dimensions upon installation. For more detailed information, including firebox dimensions please see page 59.



Riva2 Electric 70 with Victorian Corbel Mantel in Limestone



*Logic Electric Box Profil with Highlight Polished fret & Brushed Steel effect frame.
Also shown: Art Deco mantel in white available from Stovax.*

LOGIC ELECTRIC BOX PROFIL



The Logic Electric combines understated elegance with state-of-the-art modern technology. Designed to fit into a standard fireplace opening or a 3" rebated mantel with slip, it offers easy installation, ease of use and a fantastic log effect flame visual. Additionally, by using the optional spacer frame, your Logic Electric fire can even be fitted directly onto a flat wall.

The Logic Electric Box Profil takes its design origins from the Arts movement in the early twentieth century and the evocative style has influenced this contemporary fire with a choice of eleven frame and fret combinations.

A choice of 2 heat settings and 4 levels of flame brightness are all controlled from the comfort of your sofa using the remote. You can even sit back and simply enjoy the warm ambiance created by Gazco's highly realistic flame-effect technology with no heat at all. All Logic Electric fires also benefit from an additional thermostatic control.

Finish Combinations

Frame Choice	Fret Choice
Matt Black	Matt Black
	Brass effect
	Polished effect
Brass effect	Highlight Polished
	Brass effect
Polished Steel effect	Matt Black
	Polished effect
	Highlight Polished
Brushed Steel effect	Matt Black
	Polished effect
	Highlight Polished

Fuel Bed

Log effect

Heat Output

1.0kW - 2.0kW
(or flame effect only)

Dimensions w x h (mm)

511 x 609

Efficiency

99%



For more detailed information please see page 60.

LOGIC ELECTRIC FUSION



Logic Electric Fusion in Graphite with White Stone fuel effect



Logic Electric Fusion in Iridium with upgradable Black Glass Bead fuel effect

The latest addition to the Logic Electric range showcases an outstanding combination of smooth, sparkling glass with choice of striking Graphite or Iridium finishes. The ultra contemporary styling of the Logic Electric Fusion features a white stone fuel bed which will bring a truly unique focal point to your living space, there is also the option to upgrade your fuel bed to a choice of three stunning glass bead fuel effects; radiant red, bold black or cool clear.

The Fusion combines contemporary aesthetics with cutting edge technology and benefits from a choice of 2 heat settings and 4 levels of flame brightness which are all controlled from the comfort of your sofa using the remote.

Finish Choice

Graphite
Iridium

Fuel Bed

White Stones

Upgradable Fuel Beds

Red Glass Beads
Black Glass Beads
Clear Glass Beads

Dimensions w x h (mm)

550 x 1127

Efficiency

99%

Heat Output

1.0kW - 2.0kW
(or flame effect only)



Remote Control



Red Glass Bead Fuel Effect



Black Glass Bead Fuel Effect



Clear Glass Bead Fuel Effect

For more detailed information please see page 60.



Logic Electric Fusion in Graphite with White Stone fuel effect



Logic Electric Futura with White Stone fuel effect

LOGIC ELECTRIC FUTURA



Logic Electric Futura with White Stone fuel effect



Logic Electric Futura with upgradable Clear Glass Bead fuel effect

At the cutting edge of modern design, the strong lines, slim profile and sleek glass of the new Logic Electric Futura highlight its innovative styling. The highly reflective 5mm black glass finish is immediately impressive yet not overpowering in smaller spaces and, by incorporating the white stone or the upgradable coloured glass bead fuel effects, the Futura makes a breathtaking centrepiece for your home - even when the fire is off!

As a member of the Logic Electric family, the Futura benefits from a choice of 2 heat settings and 4 levels of flame brightness that are all controlled from the remote control. Additionally, on those warmer Summer evenings you can enjoy the enticing flame visual without the heat, making it an electric fire for all seasons!

Finish

Black Glass

Fuel Bed

White Stones

Upgradable Fuel Beds

- Red Glass Beads
- Black Glass Beads
- Clear Glass Beads

Dimensions w x h (mm)

520 x 1115

Efficiency

99%

Heat Output

1.0kW - 2.0kW
(or flame effect only)



Remote Control



Red Glass Bead Fuel Effect



Black Glass Bead Fuel Effect



Clear Glass Bead Fuel Effect

For more detailed information please see page 60.

MARLBOROUGH ELECTRIC



The Marlborough Electric offers you an amazingly realistic log-effect fire at the touch of a button in two different sizes. At its heart is Gazco's unique VeriFlame™ technology which allows you to choose from two heat settings that can both be thermostatically controlled*; three brightness levels, plus the additional option for a blue flame-effect on the high setting so you can match your mood exactly.

You can even turn off the heat and just watch the stunning flame-effects.

Gazco Electric Stoves simply plug into a 13amp socket, so are particularly suited for conservatories, bedrooms or home study, in fact any room without a chimney.

Finish
Matt Black

Fuel Bed
Log effect

Heat Output
1.0kW - 2.0kW
(or flame effect only)

Size w x h x d (mm)
Small: 410 x 553 x 360
Medium: 590 x 583 x 410

Efficiency
99%



Remote Control

For more detailed information please see page 61.

*The thermostat is controlled manually from the stove



STOCKTON ELECTRIC



Small Stockton Electric



Medium Stockton Electric



With a stunning cast iron door and heavy gauge steel body, the Stockton Electric combines the classic looks of a woodburning stove with the ease and convenience of Gazco's unique VeriFlame™ technology.

This means you can enjoy two heat settings that can be thermostatically controlled*, three flame intensity levels, plus the additional option for a blue flame effect on the high setting to create a remarkably authentic log-effect fire - a superb focal point for any room. The fan heater is discreetly hidden beneath the stove and can be adjusted by remote control.

You can choose from the Stockton Small, Stockton 5 or the Stockton Medium.

Finish
Matt Black

Fuel Bed
Log effect

Heat Output
1.0kW - 2.0kW
(or flame effect only)

Size w x h x d (mm)
Small: 422 x 525 x 340
5: 481 x 544 x 337
Medium: 579 x 618 x 411

Efficiency
99%



Remote Control

For more detailed information please see page 62.

*The thermostat is controlled manually from the stove





Huntingdon 30 Electric in Matt Black

HUNTINGDON 30 ELECTRIC



Huntingdon 30 Electric in Laurel Green Enamel



Huntingdon 30 Electric in Matt Ivory



Huntingdon 30 Electric in Matt Black

The Electric version of our ever popular Huntingdon 30 gas stove has exquisitely fine castings and a beautiful tracery door that are brought alive by our VeriFlame™ technology. The Huntingdon 30 Electric provides you with two heat settings, three flame brightness levels, plus the additional option for a blue flame effect on the high setting.

Your choice of fire is then set against the highly realistic fuel bed and individually hand painted 'logs', mirroring the look of a real woodburning stove.

Operation of the Huntingdon 30 Electric stove is simple. The remote gives you full control* of the heat and 'flame' settings from the comfort of your armchair. Alternatively, you can even switch off the heat and just enjoy the ambiance created by the flickering flame-effect.

Colour Choice

Paint Finishes

Matt Black
Matt Ivory

Enamel Finishes

Laurel Green
Midnight Blue
Ivory

Fuel Bed

Log effect

Heat Output

1.0kW - 2.0kW
(or flame effect only)

Size w x h x d (mm)

560 x 592 x 447

Efficiency

99%



Remote Control

For more detailed information please see page 61.

*The thermostat is controlled manually from the stove

CLARENDON ELECTRIC



Medium Clarendon Electric in Matt Black



Small Clarendon Electric in Midnight Blue Enamel



Authentic styling and elegant castings give the small and medium Clarendon Electric all the character of a woodburning stove with the modern convenience of electricity. It's easy to use, simply plug in the stove and with one touch of a button you will be experiencing instant heat with the enchanting flame-effects of our VeriFlame™ technology.

The heater is discreetly located under the stove but, as all the functions on this electric stove can be operated from the remote control; there is no stooping or crouching. Everything except the thermostat can be controlled* from the comfort of your favourite chair!

Finish Choice

Paint Finishes

Matt Black
Matt Ivory (small only)

Enamel Finishes

Laurel Green
Midnight Blue

Fuel Bed

Log effect

Heat Output

1.0kW - 2.0kW
(or flame effect only)

Size w x h x d (mm)

Small: 431 x 589 x 342
Medium: 654 x 652 x 427

Efficiency

99%



Remote Control

For more detailed information please see page 62.

*The thermostat is controlled manually from the stove



Small Clarendon Electric in Matt Black



ASHDON ELECTRIC



Ashdon Electric in Laurel Green Enamel



Ashdon Electric in Ivory Enamel with Decorative Flue



Ashdon Electric in Matt Black

Gazco's popular Electric Ashdon stove features our unique VeriFlame™ technology, offering a superbly realistic log-effect fire with three different brightness intensities, with an additional option for a blue flame effect on the high setting plus two heat settings that can both be thermostatically controlled. Quite simply, it means that you can enjoy all the ambience of a genuine cast iron wood burner with the modern convenience of electric.

From the hand painted log fuel bed to the lustrous enamel and painted finishes, this electric stove exudes style and quality to make an impressive focal point in any home.

Operation is simple. The remote control allows for easy adjustment between two heat settings* and, on warmer evenings, you can even turn off the heat, relaxing in the cosy atmosphere created by the stunning flame-effect but without the additional heat.

Finish Choice

Paint Finishes

Matt Black

Matt Ivory

Enamel Finishes

Laurel Green

Midnight Blue

Ivory

Fuel Bed

Log effect

Heat Output

1.0kW - 2.0kW
(or flame effect only)

Size w x h x d (mm)

654 x 652 x 502

Efficiency

99%



Remote Control

For more detailed information please see page 62. *The thermostat is controlled manually from the stove



Medium Electric Steel Manhattan in Brushed Stainless Steel

STEEL MANHATTAN ELECTRIC



*Medium Steel Manhattan Electric in Brushed Stainless Steel.
Also shown: Brompton mantel available from Stovax*



Small Steel Manhattan Electric in Anthracite

Contemporary, convenient and comforting, the small and medium Steel Manhattan Electric provide clean lines and contemporary styling with a highly realistic log-effect fire and up to 2kW of heat, all at the press of a button on your remote control.*

Both versions benefit from our unique VeriFlame™ technology which offers you three different glow intensities and even an additional blue flame option on the high setting.

Finish Choice

Anthracite
Brushed Stainless Steel

Fuel Bed

Log effect

Heat Output

1.0kW - 2.0kW
(or flame effect only)

Size w x h x d (mm)

Small: 540 x 633 x 360
Medium: 709 x 683 x 425

Efficiency

99%



Remote Control

For more detailed information please see page 62.

*The thermostat is controlled manually from the stove



RIVA VISION ELECTRIC



Riva Vision Midi Electric on Riva 45 Low Bench



Riva Vision Medium Electric



Riva Vision Small Electric on Riva 100 High Bench

The Riva Vision is a contemporary, electric stove that comes in three sizes: Small, Midi and Medium; each sporting a highly reflective black glass door, integral glass plinth, black glass top plate and contrasting stainless steel detailing for a clean stylish look.

Incorporating an eye-catching flame effect created using Gazco's unique Veriflame™ technology, the Riva Vision's alluring visuals glow over a realistic hand painted log-effect fuel bed to give all the ambiance and depth of a real log fire.

The three brightness levels can be easily altered with just the touch of a button on the remote control* to create a look to suit your mood. Furthermore, each level is available with or without the 1-2kW of heat output, so you can enjoy the ambiance created by your electric stove whatever the season!

To increase your interior design possibilities, you can enhance your Riva Vision by choosing from one of ten stylish Riva Stove Benches as shown on page 62.

Finish

Black Glass

Fuel Bed

Log effect

Heat Output

1.0kW - 2.0kW
(or flame effect only)

Efficiency

99%

Size w x h x d (mm)

Small: 370 x 555 x 299

Midi: 415 x 604 x 320

Medium: 535 x 676 x 363



Highly reflective stove lining



Remote Control

For more detailed information please see page 62.

*The thermostat is controlled manually from the stove

STUDIO ELECTRIC

Product Code	Frame	Finish	Frame Size (mm)			Flame Viewing Area (w x h)	Heat Output	Efficiency
			w	h	d			

STUDIO 1

223-202	Verve*	Graphite	1320	640	155	650 x 324	0.9 - 1.8kW	99%
223-094	Glass	Black Glass	1120	675	118	650 x 324	0.9 - 1.8kW	99%
223-026	E-Motiv	Medium Oak Rear & Black Glass Front	1120	675	133	650 x 324	0.9 - 1.8kW	99%
223-002	E-Motiv	Light Oak Rear & Black Glass Front	1120	675	133	650 x 324	0.9 - 1.8kW	99%
223-048	E-Motiv	Walnut Rear & Black Glass Front	1120	675	133	650 x 324	0.9 - 1.8kW	99%
223-207	E-Motiv	Medium Oak Rear & White Glass Front	1120	675	133	650 x 324	0.9 - 1.8kW	99%
223-219	E-Motiv	Light Oak Rear & White Glass Front	1120	675	133	650 x 324	0.9 - 1.8kW	99%
223-212	E-Motiv	Walnut Rear & White Glass Front	1120	675	133	650 x 324	0.9 - 1.8kW	99%
223-303	Evolve	Medium Oak Front - Brushed Steel Infills	1000	540	144	650 x 324	0.9 - 1.8kW	99%
223-316	Evolve	Light Oak Front - Brushed Steel Infills	1000	540	144	650 x 324	0.9 - 1.8kW	99%
223-310	Evolve	Walnut Front - Brushed Steel Infills	1000	540	144	650 x 324	0.9 - 1.8kW	99%

STUDIO 2

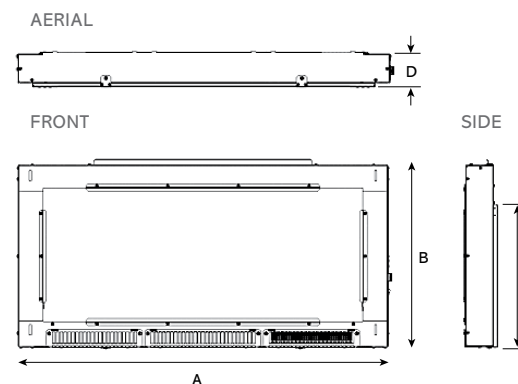
223-427	Verve*	Graphite	1520	640	160	850 x 324	0.9 - 1.8kW	99%
223-335	Glass	Black Glass	1320	675	118	850 x 324	0.9 - 1.8kW	99%
223-053	E-Motiv	Medium Oak Rear & Black Glass Front	1320	675	133	850 x 324	0.9 - 1.8kW	99%
223-016	E-Motiv	Light Oak Rear & Black Glass Front	1320	675	133	850 x 324	0.9 - 1.8kW	99%
223-070	E-Motiv	Walnut Rear & Black Glass Front	1320	675	133	850 x 324	0.9 - 1.8kW	99%
223-224	E-Motiv	Medium Oak Rear & White Glass Front	1320	675	133	850 x 324	0.9 - 1.8kW	99%
223-240	E-Motiv	Light Oak Rear & White Glass Front	1320	675	133	850 x 324	0.9 - 1.8kW	99%
223-231	E-Motiv	Walnut Rear & White Glass Front	1320	675	133	850 x 324	0.9 - 1.8kW	99%
223-325	Evolve	Medium Oak Front - Brushed Steel Infills	1200	640	144	850 x 324	0.9 - 1.8kW	99%
223-342	Evolve	Light Oak Front - Brushed Steel Infills	1200	640	144	850 x 324	0.9 - 1.8kW	99%
223-339	Evolve	Walnut Front - Brushed Steel Infills	1200	640	144	850 x 324	0.9 - 1.8kW	99%

STUDIO 3

223-920	Verve*	Graphite	1900	640	194	1236 x 324	0.9 - 1.8kW	99%
223-905	Glass	Black Glass	1710	675	118	1236 x 324	0.9 - 1.8kW	99%
223-061	E-Motiv	Medium Oak Rear & Black Glass Front	1710	675	133	1236 x 324	0.9 - 1.8kW	99%
223-029	E-Motiv	Light Oak Rear & Black Glass Front	1710	675	133	1236 x 324	0.9 - 1.8kW	99%
223-084	E-Motiv	Walnut Rear & Black Glass Front	1710	675	133	1236 x 324	0.9 - 1.8kW	99%
223-247	E-Motiv	Medium Oak Rear & White Glass Front	1710	675	133	1236 x 324	0.9 - 1.8kW	99%
223-291	E-Motiv	Light Oak Rear & White Glass Front	1710	675	133	1236 x 324	0.9 - 1.8kW	99%
223-259	E-Motiv	Walnut Rear & White Glass Front	1710	675	133	1236 x 324	0.9 - 1.8kW	99%
223-354	Evolve	Medium Oak Front - Brushed Steel Infills	1590	640	144	1236 x 324	0.9 - 1.8kW	99%
223-380	Evolve	Light Oak Front - Brushed Steel Infills	1590	640	144	1236 x 324	0.9 - 1.8kW	99%
223-367	Evolve	Walnut Front - Brushed Steel Infills	1590	640	144	1236 x 324	0.9 - 1.8kW	99%

*For details on how to order a Studio Electric Verve in other colour options please see page 13.

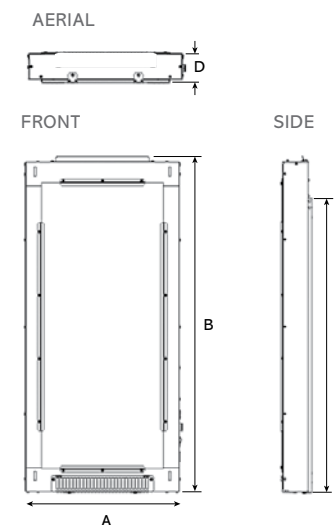
STUDIO ELECTRIC 1, 2 & 3



Studio Electric Fire Dimensions (mm)

	Studio 1	Studio 2	Studio 3	Studio 22
A	822	1045	1430	492
B	549	549	549	1062
C	416	416	456	929
D	98	98	98	98

STUDIO ELECTRIC 22



Product Code	Frame	Finish	Frame Size (mm)			Flame Viewing Area (w x h)	Heat Output	Efficiency
			w	h	d			

STUDIO 22

223-710	Verve*	Graphite	676	1320	156	324 x 850	0.45 - 0.9kW	99%
223-557	Glass	Black Glass	675	1320	118	324 x 850	0.45 - 0.9kW	99%
223-092	E-Motiv	Medium Oak Rear & Black Glass Front	675	1320	133	324 x 850	0.45 - 0.9kW	99%
223-077	E-Motiv	Light Oak Rear & Black Glass Front	675	1320	133	324 x 850	0.45 - 0.9kW	99%
223-101	E-Motiv	Walnut Rear & Black Glass Front	675	1320	133	324 x 850	0.45 - 0.9kW	99%
223-273	E-Motiv	Medium Oak Rear & White Glass Front	675	1320	133	324 x 850	0.45 - 0.9kW	99%
223-296	E-Motiv	Light Oak Rear & White Glass Front	675	1320	133	324 x 850	0.45 - 0.9kW	99%
223-285	E-Motiv	Walnut Rear & White Glass Front	675	1320	133	324 x 850	0.45 - 0.9kW	99%
223-371	Evolve	Medium Oak Front - Brushed Steel Infills	640	1200	144	324 x 850	0.45 - 0.9kW	99%
223-393	Evolve	Light Oak Front - Brushed Steel Infills	640	1200	144	324 x 850	0.45 - 0.9kW	99%
223-388	Evolve	Walnut Front - Brushed Steel Infills	640	1200	144	324 x 850	0.45 - 0.9kW	99%

INFILL SETS FOR THE STUDIO 1,2 & 3 EVOLVE

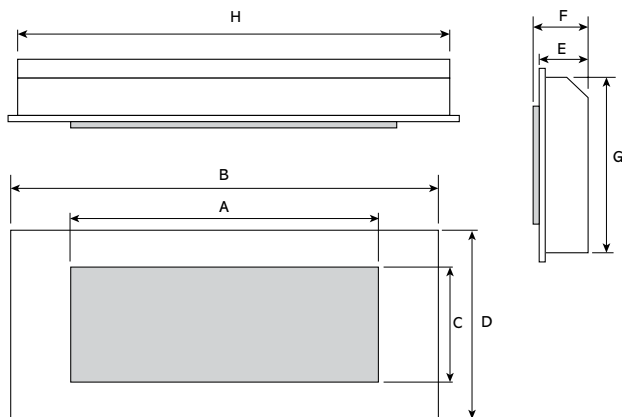
923-894	Studio 1 & 2 Evolve Infill Set - Polished Steel
923-916	Studio 1 & 2 Evolve Infill Set - Brushed Steel
923-930	Studio 1 & 2 Evolve Infill Set - Black Steel
923-941	Studio 1 & 2 Evolve Infill Set - White Steel

INFILL SETS FOR THE STUDIO 22 EVOLVE

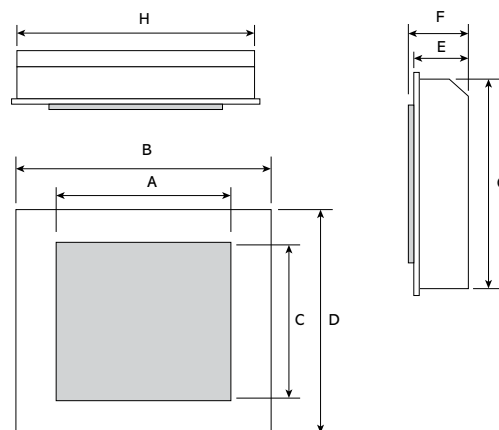
923-736	Studio 22 Evolve Infill Set - Polished Steel
923-580	Studio 22 Evolve Infill Set - Brushed Steel
923-621	Studio 22 Evolve Infill Set - Black Steel
923-361	Studio 22 Evolve Infill Set - White Steel

INSET FIRES

STUDIO ELECTRIC INSET DIMENSIONS



RIVA2 ELECTRIC INSET DIMENSIONS



Inset Fires Dimensions (mm)

	A	B	C	D	E	F	G	H
Studio Inset 150	1500	1877	380	622	152	167	585	1834
Studio Inset 105	1050	1460	380	624	152	167	585	1417
Studio Inset 80	800	1145	380	622	152	167	585	1102
Riva2 70	700	1045	650	902	152	167	865	1002
Riva2 55	550	895	550	792	152	167	755	852

Fire Information

Product Code	Model	Heat Output	Efficiency
223-044	Studio Electric Inset 150	1.00 - 2.00kW	99%
223-136	Studio Electric Inset 105	1.00 - 2.00kW	99%
223-378	Studio Electric Inset 80	1.00 - 2.00kW	99%
234-209	Riva 2 Electric 70	1.00 - 2.00kW	99%
234-016	Riva 2 Electric 55	0.50 - 1.00kW	99%

RIVA2 ELECTRIC STONE MANTELS

Product Code	Description	Finish	Overall Width (mm)	Height (mm)	Shelf Depth (mm)	Leg to leg outer (mm)
9002CLWM	Claremont (requires slip set)	Antique White Marble	1555	1143	190	1331
9002CLTL	Claremont (requires slip set)	Limestone	1555	1143	190	1331
9000CAWM	Cavendish Bolection (requires slip set)	Antique White Marble	1460	1320	207	1270
9000CATL	Cavendish Bolection (requires slip set)	Limestone	1460	1320	207	1270
9001GEWM	Georgian Roundel (requires slip set)	Antique White Marble	1460	1082	200	1277
9001GETL	Georgian Roundel (requires slip set)	Limestone	1460	1082	200	1277
9003GRWM	Grafton (requires slip set)	Antique White Marble	1415	1165	105	1415
9003GRTL	Grafton (requires slip set)	Limestone	1415	1165	105	1415
9004VIWM	Victorian Corbel (requires slip set)	Antique White Marble	1525	1170	250	1375
9004VITL	Victorian Corbel (requires slip set)	Limestone	1525	1170	250	1375
9005SAWM	Sandringham (requires slip set)	Antique White Marble	1550	1220	227	1325
9005SATL	Sandringham (requires slip set)	Limestone	1550	1220	227	1325

SLIP SETS

Product Code	Description	Finish
934-736	Slip set for Stone Mantel	Antique White Marble
934-015	Slip set for Stone Mantel	Limestone

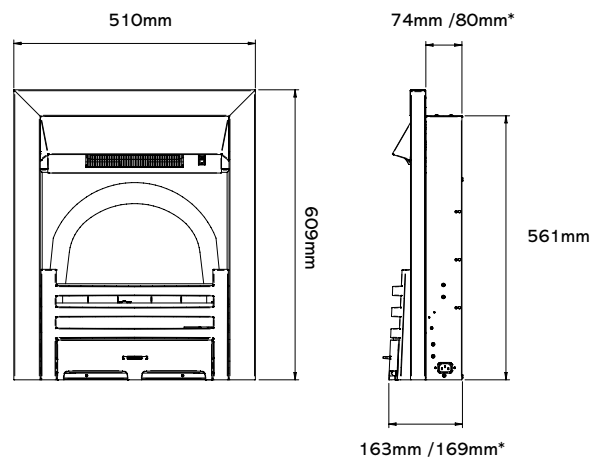
HEARTHES

Product Code	Description	Finish	Overall Width (mm)	Height (mm)	Shelf Depth (mm)
934-241	Small Hearth for Stone Mantel	Antique White Marble	1524	53	228
934-193	Small Hearth for Stone Mantel	Limestone	1524	53	228
934-489	Large Hearth for Stone Mantel	Antique White Marble	1625	53	457
934-351	Large Hearth for Stone Mantel	Limestone	1625	53	457

Our stone mantels are crafted from high quality, natural material and therefore will contain naturally occurring veining, subtle tonal differences and indeed, small fossils that may be found in the limestone.

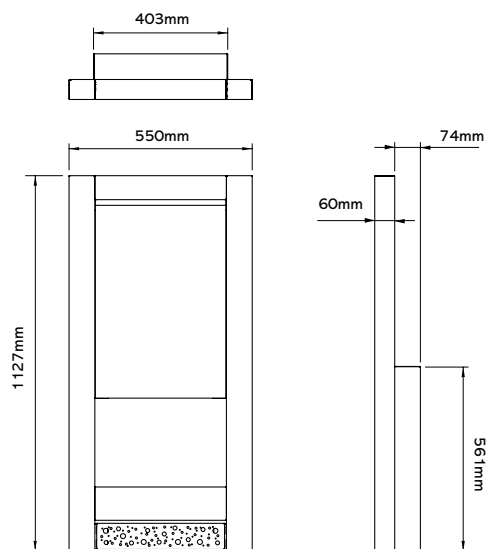
LOGIC ELECTRIC

BOX PROFIL FRAME DIMENSIONS

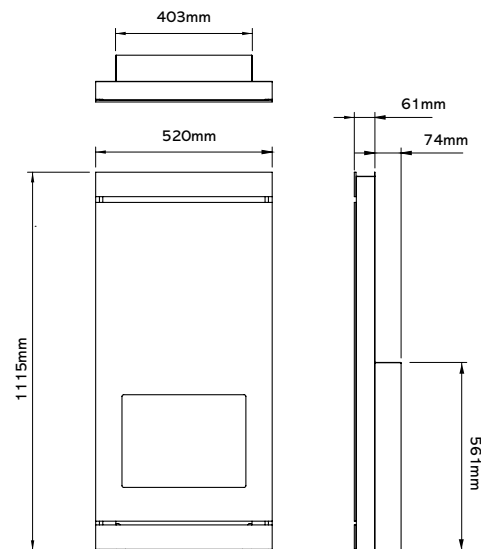


* The depth of the Box Profil fires are increased by 6mm when using an optional spacer frame.

FUSION FRAME DIMENSIONS



FUTURA FRAME DIMENSIONS



Product Code	Frame	Front Finish	Fuel effect	Heat Output	Efficiency
--------------	-------	--------------	-------------	-------------	------------

Logic Electric Box Profil Fire Information

201-012	Matt Black	Matt Black	Logs	1.00 - 2.00kW	99%
201-059	Matt Black	Brass Effect	Logs	1.00 - 2.00kW	99%
201-439	Matt Black	Polished Effect	Logs	1.00 - 2.00kW	99%
201-163	Matt Black	Highlight Polished	Logs	1.00 - 2.00kW	99%
201-514	Brass Effect	Brass Effect	Logs	1.00 - 2.00kW	99%
201-477	Polished Steel Effect	Matt Black	Logs	1.00 - 2.00kW	99%
201-729	Polished Steel Effect	Polished Effect	Logs	1.00 - 2.00kW	99%
201-843	Polished Steel Effect	Highlight Polished	Logs	1.00 - 2.00kW	99%
201-109	Brushed Steel Effect	Matt Black	Logs	1.00 - 2.00kW	99%
201-001	Brushed Steel Effect	Polished Effect	Logs	1.00 - 2.00kW	99%
201-213	Brushed Steel Effect	Highlight Polished	Logs	1.00 - 2.00kW	99%

Logic Electric Optional Spacer Frames†

901-815	Logic Electric Box Profil Spacer Frame - Black
---------	------------------------------------------------

† Logic Electric Spacer Frames are for use when installing onto a flat wall, and are not suitable for use with Logic Electric Fusion or Futura fires.

Logic Electric Fusion Fire Information

201-549	Graphite	-	White Stones	1.00 - 2.00kW	99%
201-623	Iridium	-	White Stones	1.00 - 2.00kW	99%

Logic Electric Futura Fire Information

201-667	Black Glass	-	White Stones	1.00 - 2.00kW	99%
---------	-------------	---	--------------	---------------	-----

Logic Electric Fusion & Futura Coloured Glass Bead Fuel Effect Options

923-774	Clear Glass Bead Fuel Effect Upgrade for Logic Electric Fusion and Futura
923-788	Red Glass Bead Fuel Effect Upgrade for Logic Electric Fusion and Futura
923-792	Black Glass Bead Fuel Effect Upgrade for Logic Electric Fusion and Futura

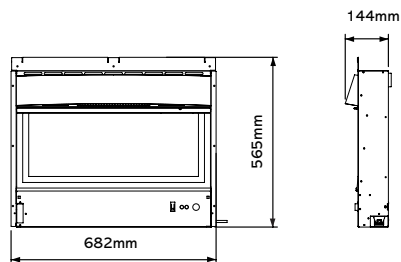
RIVA 2 670 ELECTRIC

Fire Information

Product Code	Fuel Effect	Heat Output	Efficiency	Opening Size (mm)		
				w	h	d
234-872	Logs	1.00 - 2.00kW	99%	665	535	105

Riva2 670 Electric Accessory

8688SL	Wall mounting box for Riva2 670 Electric Cassette 234-872
--------	-----------------------------------------------------------



The wall mounting box allows you to hang your Riva2 670 directly onto the wall, without the need for an opening or recess.

Frame Information

Product Code	Description	Frame Finish	Frame Size (mm)		
			w	h	d
934-339	Designio2 frame	Black Glass	735	569	40
934-238	Designio2 frame	Graphite	735	569	40
934-238IR	Designio2 frame	Iridium	735	569	40
934-529	Evoke frame	Black Glass front with Graphite rear	920	622	41
934-558	Evoke frame	White Glass front with Graphite rear	920	622	41
934-601	Evoke frame	Graphite front with Graphite rear	920	622	41
934-156	Verve frame	Graphite	1325	621	59
934-143	Verve XS frame	Graphite	1000	621	56

*There is a choice of three colours to choose from on the Riva 670 Electric Evoke Glass, Evoke Steel, Verve and Verve XS fronts (see pages 22-29), these are: Metallic Red, Metallic Bronze & Ivory. Please use the product code provided with the following suffix for your choice of colour: **Metallic Red (RD)**, **Metallic Bronze (BZ)** & **Ivory (IV)** - for example: Riva2 670 Electric Evoke Black Glass in Metallic Red = 934-529RD



Riva2 670 Verve

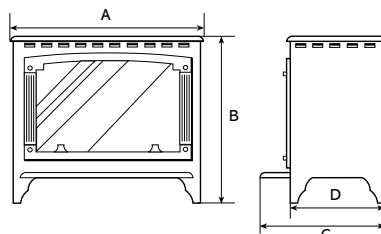
ELECTRIC STOVES

MARLBOROUGH ELECTRIC

Product Code	Model	Colour	Fuel Effect	Heat Output	Efficiency
E8560	Small	Matt Black	Logs	1.00 - 2.00kW	99%
E8610	Medium	Matt Black	Logs	1.00 - 2.00kW	99%

Dimensions (mm)

	A	B	C	D	Weight
Small	410	558	360	280	35kg
Medium	590	583	410	330	48kg

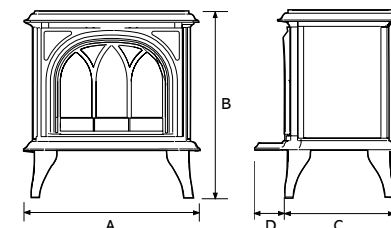


HUNTINGDON 30 ELECTRIC

Product Code	Model	Colour	Fuel Effect	Heat Output	Efficiency
E8503	30	Matt Black	Logs	1.00 - 2.00kW	99%
E8503MB	30	Midnight Blue	Logs	1.00 - 2.00kW	99%
E8503LG	30	Laurel Green	Logs	1.00 - 2.00kW	99%
E8503IV	30	Ivory	Logs	1.00 - 2.00kW	99%
615-567	30	Matt Ivory	Logs	1.00 - 2.00kW	99%

Dimensions (mm)

	A	B	C	D	Weight
30	560	592	351	96	71.5kg



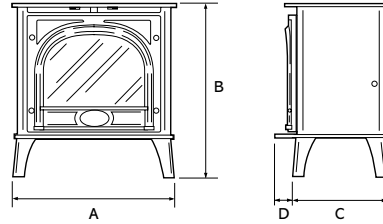
ELECTRIC STOVES (CONTINUED)

STOCKTON ELECTRIC

Product Code	Model	Colour	Fuel Effect	Heat Output	Efficiency
E8573	Small	Matt Black	Logs	1.00 - 2.00kW	99%
E8575	5	Matt Black	Logs	1.00 - 2.00kW	99%
E8617	Medium	Matt Black	Logs	1.00 - 2.00kW	99%

Dimensions (mm)

	A	B	C	D	Weight
Small	422	525	290	50	57kg
Medium	579	618	345	66	82kg
5	481	544	273	64	55kg

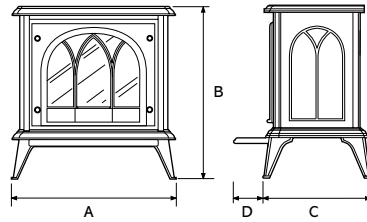


ASHDON ELECTRIC

Product Code	Model	Colour	Fuel Effect	Heat Output	Efficiency
E8613	Medium	Matt Black	Logs	2.00kW	99%
E8613MB	Medium	Midnight Blue	Logs	2.00kW	99%
E8613LG	Medium	Laurel Green	Logs	2.00kW	99%
E8613IV	Medium	Ivory	Logs	2.00kW	99%
670-389	Medium	Matt Ivory	Logs	2.00kW	99%

Dimensions (mm)

	A	B	C	D	Weight
Medium	654	652	427	75	78kg

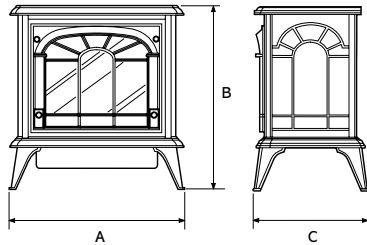


CLARENDON ELECTRIC

Product Code	Model	Colour	Fuel Effect	Heat Output	Efficiency
E8517	Small	Matt Black	Logs	1.00 - 2.00kW	99%
E8517MB	Small	Midnight Blue	Logs	1.00 - 2.00kW	99%
E8517LG	Small	Laurel Green	Logs	1.00 - 2.00kW	99%
670-017	Small	Matt Ivory	Logs	1.00 - 2.00kW	99%
E8612	Medium	Matt Black	Logs	1.00 - 2.00kW	99%
E8612MB	Medium	Midnight Blue	Logs	1.00 - 2.00kW	99%
E8612LG	Medium	Laurel Green	Logs	1.00 - 2.00kW	99%

Dimensions (mm)

	A	B	C	Weight
Small	431	589	342	56kg
Medium	654	652	427	78kg

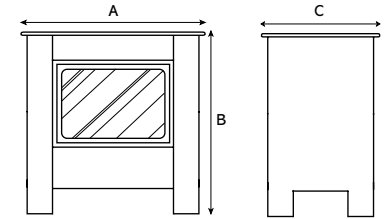


STEEL MANHATTAN ELECTRIC

Product Code	Model	Steel Finish	Fuel Effect	Heat Output	Efficiency
E8622AN	Small	Anthracite	Logs	1.00 - 2.00kW	99%
E8622BS	Small	Brushed Stainless Steel	Logs	1.00 - 2.00kW	99%
E8619AN	Medium	Anthracite	Logs	1.00 - 2.00kW	99%
E8619BS	Medium	Brushed Stainless Steel	Logs	1.00 - 2.00kW	99%

Dimensions (mm)

	A	B	C	Weight
Small	633	540	360	33kg
Medium	683	709	425	44kg

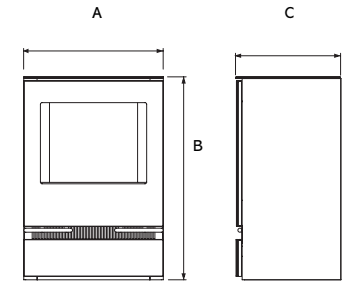


RIVA VISION ELECTRIC

Product Code	Model	Finish	Fuel Effect	Heat Output	Efficiency
634-680	Small	Black Glass	Logs	1.00 - 2.00kW	99%
634-733	Midi	Black Glass	Logs	1.00 - 2.00kW	99%
634-795	Medium	Black Glass	Logs	1.00 - 2.00kW	99%

Dimensions (mm)

	A	B	C	Weight
Small	370	555	297	24kg
Midi	415	604	317	28kg
Medium	535	676	363	38kg



RIVA BENCHES

- Available in 2 heights and 5 lengths
- Sturdy steel construction
- Durable Matt Black finish
- 60mm wide legs

Riva Bench 45 LowRVACLB45B
 Riva Bench 100 LowRVACLB100B
 Riva Bench 120 LowRVACLB120B
 Riva Bench 140 LowRVACLB140B
 Riva Bench 180 LowRVACLB180B

Riva Bench 45 HighRVACB45B
 Riva Bench 100 HighRVACB100B
 Riva Bench 120 HighRVACB120B
 Riva Bench 140 HighRVACB140B
 Riva Bench 180 HighRVACB180B



Dimensions : width x height x depth

COLOURED FRAME OPTIONS

There are three vibrant colour options specifically designed to complement the stylish, contemporary form of the Studio Electric Verve and a selection of the new Riva2 670 Electric fire frames.

The colours shown on this page are available for:

- All four Studio Electric Verve sizes
- Riva2 670 Electric Evoke Glass
- Riva2 670 Electric Evoke Steel
- Riva2 670 Electric Verve
- Riva2 670 Electric Verve XS



Ivory



Metallic
Bronze



Metallic
Red

Please use the product code for the electric fire of your choice, with the following suffix for your chosen colour: Metallic Red (RD) • Metallic Bronze (BZ) • Ivory (IV)

For example: Riva2 670 Electric Evoke Steel in Metallic Red: 934-601**RD**



Riva2 670 Electric Evoke Steel with Metallic Red front and Graphite rear



Studio Electric 22 Verve in Ivory



Gazco Limited, Osprey Road, Sowton Industrial Estate, Exeter, Devon, England EX2 7JG

Tel: 01392 261900 • Fax: 01392 444148 • Export Sales: 00 44 1392 261990 • Email: info@gazco.com

www.gazco.com

Gazco pursue a policy of continuous product improvement, therefore, whilst our products are correct at the time of the photography, we reserve the right to make alterations and amendments.
Exact product details should be discussed with your retailer at the time of purchase.

Paper sourced from sustainable forests and printed using vegetable based inks • © All material copyright Gazco Ltd 2014 E & O E • A member of the Stovax group



To view & download our complete range of brochures, simply scan this code or visit www.gazco.com



Brochure ref: GZELECTRIC0914



Other product brochures from the Gazco family which may be of interest to you can be downloaded from our website www.gazco.com