



KENSAL

Woodburning, Multi-Fuel and Boiler Stoves

A heritage of heating...

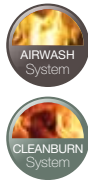
KENSAL

Practical and Efficient...

Kensal has been providing a comforting glow to homes throughout Britain and Ireland for many decades. Today, that tradition continues with the company's latest range of woodburning and multi-fuel stoves.

As you would expect from such a heritage, these stoves are robust, practical and efficient, with a construction that combines the very best attributes of iron and steel. The heavy gauge steel firebox is complemented by airtight cast iron doors and durable cast iron fittings and, in the case of multi-fuel models, a rotating grate that can be riddled from outside the stove to improve combustion.

The stoves also, quite naturally, incorporate a powerful Airwash system and the latest Cleanburn technology. Airwash makes a stream of air flush down the inside of the window thus helping to keep it as clean as possible for a better view of the fire, whilst Cleanburn is a specially designed feature to create a cleaner combustion and more efficient heat output from your fuel – saving you both time and money.



Boiler Stoves for complete home heating...

The latest addition to the range is the Kensal 60HB with integral high-output boiler. With greater capacity than the 40HB, the 60HB boasts an impressive heat output of 11kW (38,000BTU), it can not only emit a very comfortable warmth to the room in which it is fitted, but additionally can supply radiators as well as providing ample supplies of domestic hot water. You can even 'Link Up' your Kensal Boiler Stove to work with conventional oil or gas central heating, sealed heating systems, combi boilers, under floor heating and even solar panels.

A useful 'link up' guide can be obtained from your Kensal retailer.

Environmentally-friendly warmth...

Every Kensal stove has been meticulously developed to burn wood or smokeless fuels with equal proficiency and carries the CE mark.

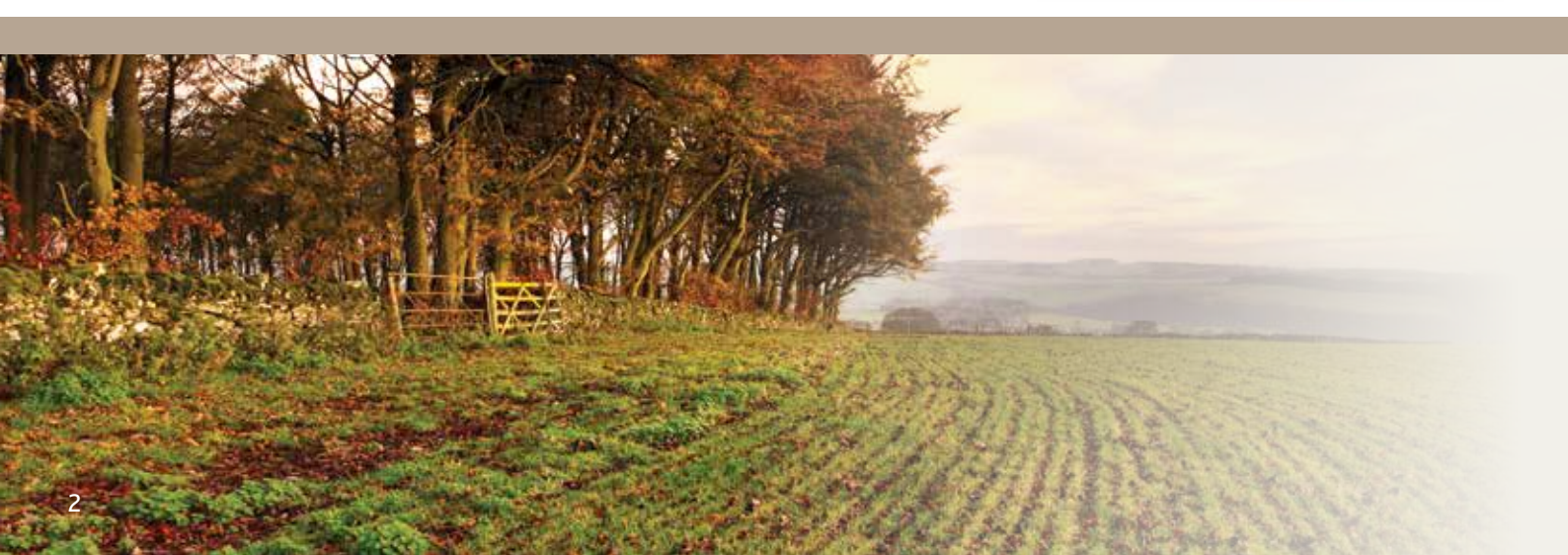
Logs are better in environmental terms as the quantity of carbon dioxide released into the atmosphere is similar to that absorbed by the tree during growth. It is also a renewable resource, particularly when derived from plantations & cultivated woodland. For optimum results, we recommend logs should be seasoned for 2 years or more to achieve a moisture content below 20%. This will not only give more heat output than freshly felled timber but help to avoid a build up of tar in your flue. Furthermore, if you can obtain hardwood logs this is better still, as they will have around twice the calorific value of softwoods of equivalent weight.



In country areas, Kensal stoves have a particular advantage as they allow homeowners to burn readily available log supplies from local sources, rather than look to increasingly expensive oil or LPG equivalents. Indeed, if you have a large garden or spinney or you are a farmer, smallholder or country landowner your fuel could even be free.

For town and city homes, the Kensal 20 and Kensal 33 are so cleanburning that they have also been approved for the burning of logs in Smoke Control Areas*.

* When fitted with a Smoke Control Kit





Kensal 33 Multi-fuel
with canopy burning logs

Kensal warranty for complete peace of mind...

Your Kensal retailer will provide you with a Two Year Warranty for your new Kensal stove. The second year's warranty is dependant on your appliance being serviced by an appropriately qualified person 12 months after installation. This warranty does not include certain wearing parts such as the grate, damper, log retainer or baffle castings. They will also provide you with a Five Year Warranty on the cast iron door. Full details of these warranties are set out in our instruction manuals. The use of petrocokle in a Kensal stove will invalidate its guarantee.



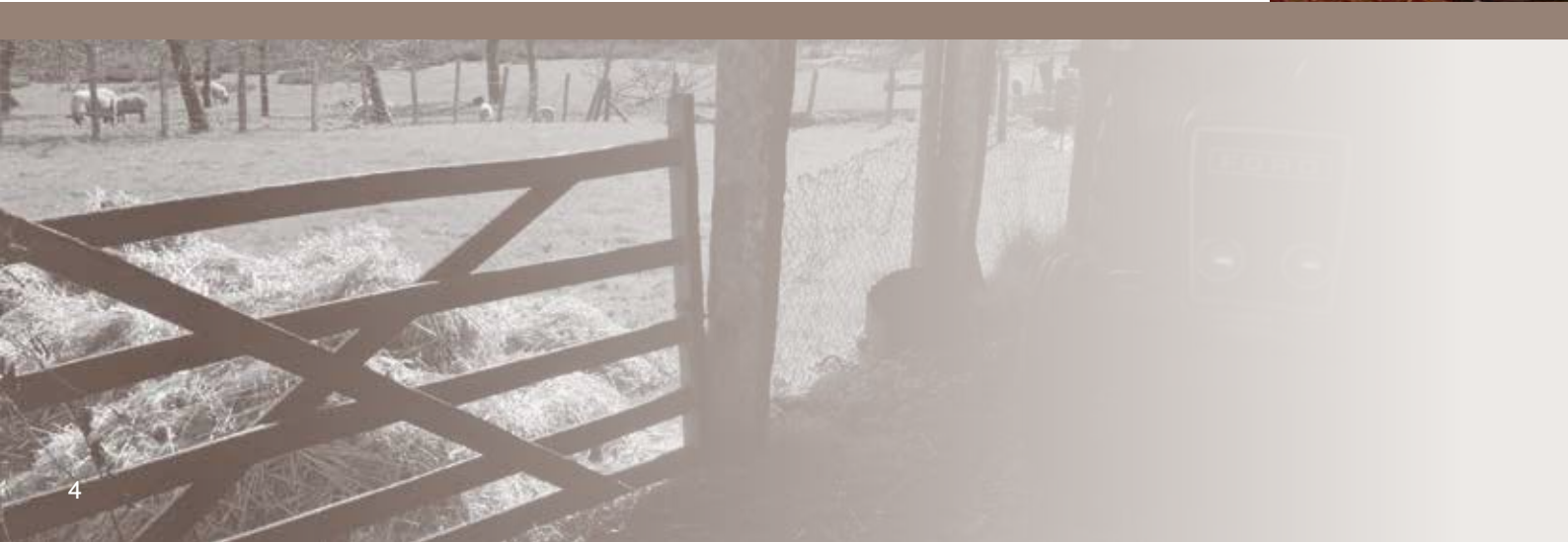
Kensal 20

Compact yet powerful, the Kensal 20 not only has the performance and fuel efficiency to heat your room or living space effectively but has also been designed with an up-to-date yet traditional look that will perfectly complement either a rural cottage or modern fireplace setting.



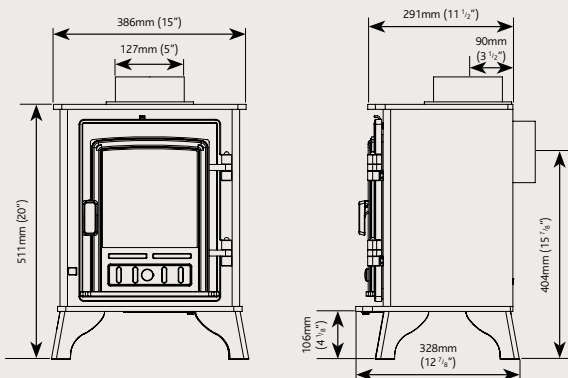
- Burns logs, anthracite or smokeless fuel
- External riddling
- Maximum heat output 3.75kW
- Maximum log length 20cm
- Cleanburn & Airwash
- Approved for Smoke Control Areas*
- Flat top
- Room vent not normally required
- Top or rear flue outlet
- Traditional matt black finish

** When fitted with a Smoke Control Kit*





Kensal 20 burning logs



<i>Product Codes</i>	<i>Description</i>
RF-KEN20M	Kensal 20 Multi-Fuel with flat top
RF-KEN20SCKIT	Smoke Control Kit
4500	1' straight flue pipe
4501	2' straight flue pipe
4502	3' straight flue pipe
4504	1' straight flue pipe with door
4505	2' straight flue pipe with door
4506	3' straight flue pipe with door
4542	1' 3" – 2' 1" telescopic straight flue pipe
4540	3' 4" – 4' 6" telescopic straight flue pipe
4516	Tee piece with end cap

Kensal 33

If you have a little more space available then the Kensal 33 will provide you with the extra heating capacity to make slightly larger rooms cosy throughout the winter. You can also choose from woodburning or multi-fuel models and flat top or low canopy versions†.

†See image on page 3



Kensal 33 Multi-fuel burning logs

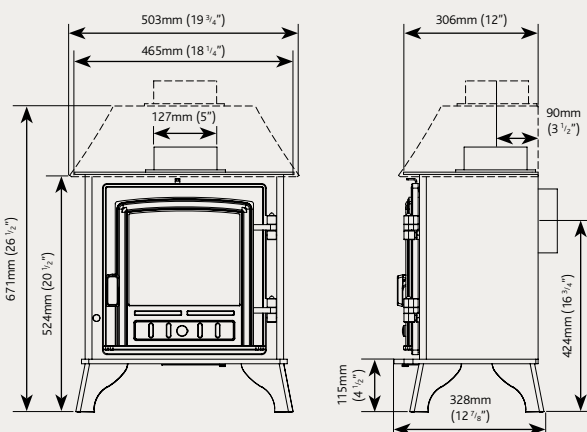
- Woodburning model
- Multi-fuel model with external riddling
- Maximum heat output 4.9kW
- Maximum log length 33cm
- Cleanburn & Airwash
- Approved for Smoke Control Areas*
- Flat top or low canopy†
- Room vent not normally required
- Top or rear flue outlet
- Traditional matt black finish

* Flat top model only. When fitted with a Smoke Control Kit
† Multi-fuel model only





Kensal 33 Multi-fuel burning logs



5" flue pipe can be used if stove is fitted with a Smoke Control Kit

Product Codes *Description*

RF-KEN33W	Kensal 33 Woodburner with flat top
RF-KEN33M	Kensal 33 Multi-Fuel with flat top
RF-KEN33MLC	Kensal 33 Multi-Fuel with low canopy
RF-KEN33SCKIT	Smoke Control Kit for 33 Woodburner
RF-KEN33MFSCKIT	Smoke Control Kit for 33 Multi-fuel
RF-K7108	Optional multi-fuel kit
4600	1' straight flue pipe
4601	2' straight flue pipe
4602	3' straight flue pipe
4604	1' straight flue pipe with door
4605	2' straight flue pipe with door
4606	3' straight flue pipe with door
4642	1' 3" – 2' 1" telescopic straight flue pipe
4640	3' 4" – 4' 6" telescopic straight flue pipe
4616	Tee piece with end cap

Kensal 40

The Kensal 40 models offer significant heating potential as well as the opportunity to provide hot water and run radiators. All versions also feature traditional window crosses which can be removed to provide a clear door option if you prefer.



Kensal 40 Multi-fuel with canopy and window crosses removed burning logs

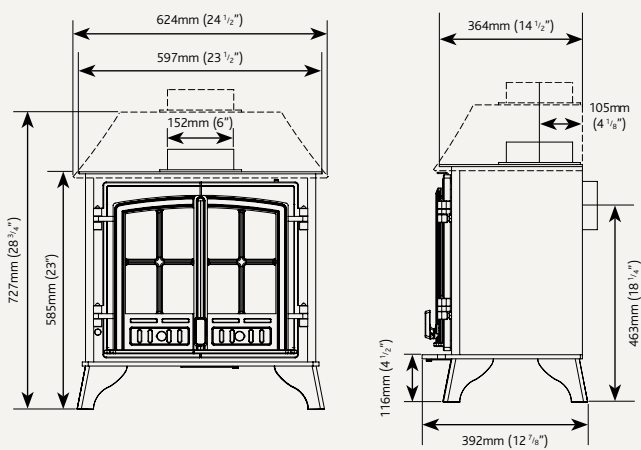
- Woodburning model
- Multi-fuel model with external riddling
- High-output boiler version*
- Maximum heat output 8kW
- Maximum log length 40cm
- Cleanburn & Airwash
- Flat top or low canopy†
- Removable window crosses for 'clear door' option
- Top or rear flue outlet
- Traditional matt black finish

*Please see pages 14 - 17
† Multi-fuel model only





Kensal 40 Multi-fuel with window crosses removed burning smokeless fuel



Product Codes

Description

RF-KEN40W	Kensal 40 Woodburner with flat top
RF-KEN40M	Kensal 40 Multi-Fuel with flat top
RF-KEN40MLC	Kensal 40 Multi-Fuel with low canopy
RF-K7111	Optional multi-fuel kit
4600	1' straight flue pipe
4601	2' straight flue pipe
4602	3' straight flue pipe
4604	1' straight flue pipe with door
4605	2' straight flue pipe with door
4606	3' straight flue pipe with door
4642	1' 3" – 2' 1" telescopic straight flue pipe
4640	3' 4" – 4' 6" telescopic straight flue pipe
4616	Tee piece with end cap

Kensal 40 Slimline

This space-saving Slimline version of the Kensal 40 is 3" (75mm) narrower in depth than the standard model. In many cases, this can mean building work is not required to deepen a fireplace opening.



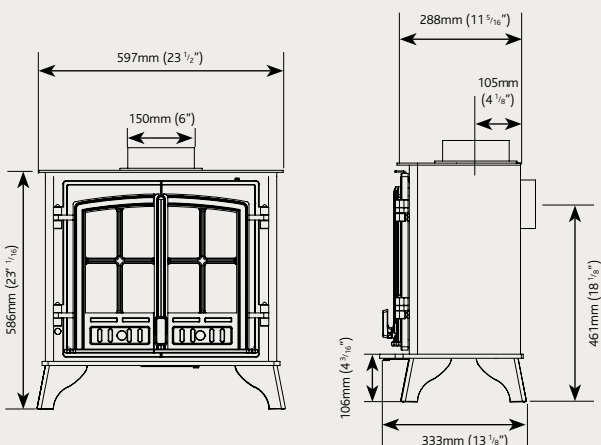
Kensal 40 Slimline Woodburner with window crosses burning logs

- Woodburning model
- Optional multi-fuel kit
- Maximum heat output 7kW
- Maximum log length 40cm
- Cleanburn & Airwash
- Flat top
- Removable window crosses for 'clear door' option
- Top or rear flue outlet
- Traditional matt black finish





Kensal 40 Slimline Woodburner with window crosses removed burning logs



Product Codes

Description

RF-KEN40SL	Kensal 40 Slimline Woodburner with flat top
RF-KEN7111SL	Optional multi-fuel kit
4600	1' straight flue pipe
4601	2' straight flue pipe
4602	3' straight flue pipe
4604	1' straight flue pipe with door
4605	2' straight flue pipe with door
4606	3' straight flue pipe with door
4642	1' 3" – 2' 1" telescopic straight flue pipe
4640	3' 4" – 4' 6" telescopic straight flue pipe
4616	Tee piece with end cap

Kensal 60

With an impressive 11kW heat output, the top-of-the range Kensal 60 is ideal for larger living rooms, substantial inglenooks and open-plan barn conversions. With a choice of window crosses or clear doors and a boiler version, you will be able to find the perfect combination for your home.



Kensal 60 Woodburner with window crosses burning logs

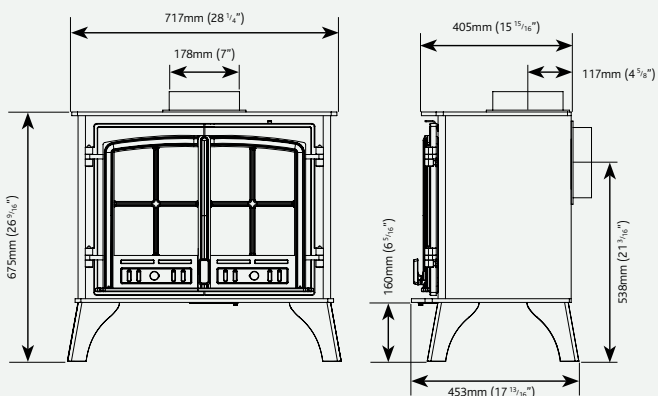
- Woodburning model
- Optional multi-fuel kit
- High output boiler version*
- Maximum heat output 11kW
- Maximum log length 50cm
- Cleanburn & Airwash
- Flat top
- Removable window crosses for 'clear door' option
- Top or rear flue outlet
- Traditional matt black finish

**Please see pages 14 - 15 & 18 - 19*





Kensal 60 Woodburner with window crosses removed burning logs



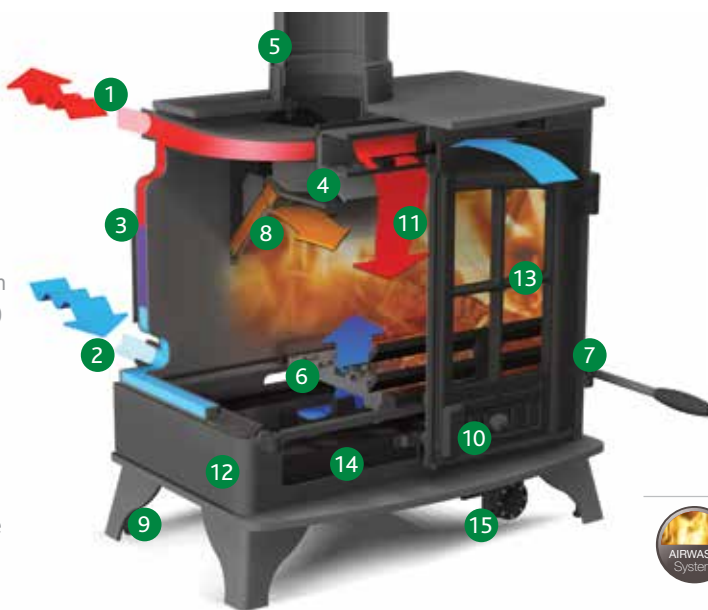
<i>Product Codes</i>	<i>Description</i>
RF-KEN60W	Kensal 60 Woodburner with flat top
RF-K7112	Optional multi-fuel kit
4700	1' straight flue pipe
4701	2' straight flue pipe
4702	3' straight flue pipe
4704	1' straight flue pipe with door
4705	2' straight flue pipe with door
4706	3' straight flue pipe with door
4742	1' 3" – 2' 1" telescopic straight flue pipe
4740	3' 4" – 4' 6" telescopic straight flue pipe
4716	Tee piece with end cap

Kensal Boiler Stoves

Specifically developed to supply your domestic hot water and central heating requirements or to supplement your existing central heating system via 'link up' technology, hence reducing your reliance on gas or oil, are three Kensal High Output Boiler Stoves. The 40HB and 60HB multi-fuel boiler stoves each incorporate a riddling grate designed for burning smokeless fuels, as these tend to provide greater calorific values. However, you can reduce your CO2 emissions by burning a combination of smokeless fuels and logs together. Should you prefer to burn wood only, you can still achieve good performance but, as logs burn best with slightly different firebox characteristics, we recommend you purchase the optional log tray available for each, or the new dedicated woodburning only model for the 60HB.

Key features of the Kensal 40HB & 60HB

- 1 Excellent heat output to water
- 2 4 x 1" BSP boiler tappings for flexible, efficient connection to your hot water circuits
- 3 Extensive water jacket on 4 sides for maximum heat transfer
- 4 Highly developed boiler flue baffle system ensures maximum efficiency
- 5 Top or rear flue exit
- 6 Specially designed reciprocating riddling grate for effective removal of ashes*
- 7 Discreet external riddling socket with removable tool*
- 8 Unique heated air jets from cleanburn ports burn hydrocarbons in smoke. (UK Patent Application GB2495920)
- 9 Adjustment facility within each foot ensures complete stability on uneven surfaces
- 10 Primary air controls to manually adjust the running temperatures
- 11 Airwash system with boost setting to help keep glass clear and controls the running temperature when burning logs
- 12 5mm and 10mm heavy duty steel body
- 13 Removable door crosses
- 14 Large ash collection tray
- 15 Thermostatic control to maintain desired running temperature
- 16 Optional wood tray for multi-fuel models (not illustrated)



Kensal 40HB multi-fuel boiler shown



carbon
neutral
energy™



*Multi-fuel models only



Kensal 40HB Multi-fuel Boiler Stove with window crosses removed burning logs



Kensal 40HB

The 40HB may be the smaller of Kensal's three Boiler Stoves, but it still boasts impressive nominal heat outputs to your living room of 6kW and 8kW* to the boiler. This means it can run up to nine 2500BTU radiators as well as supplying enough heat for an 8000BTU hot water tank.

*When burning wood: 7kW



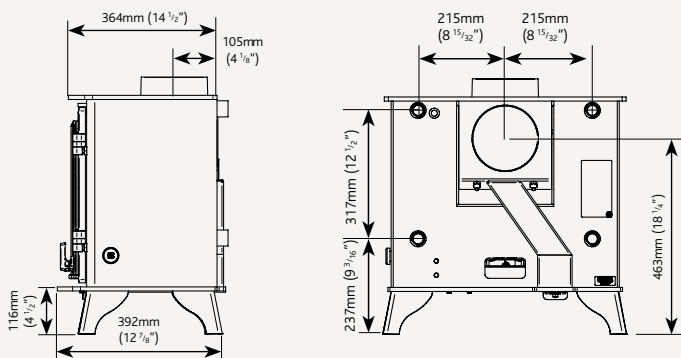
Kensal 40HB Multi-fuel Boiler Stove with window crosses removed burning logs

- Multi-fuel model with external riddling
- Optional woodburning tray
- Maximum system rating 10kw (34,000BTU)
- Maximum log length 40cm
- Cleanburn & Airwash
- Flat top
- Removable window crosses for 'clear door' option
- Top or rear flue outlet
- Traditional matt black finish
- Thermostatic control to maintain desired running temperature





Kensal 40HB Multi-fuel Boiler Stove with window crosses removed burning logs



For front diagrams & dimensions, please see page 9

<i>Product Codes</i>	<i>Description</i>
RF-KEN40HBMF2	Kensal 40HB Boiler multi-fuel with flat top
RF-K8HBWT	Woodburning tray for Kensal 40HB Boiler
RF-KSTATST	Thermostat for Kensal Boiler Stoves
4600	1' straight flue pipe
4601	2' straight flue pipe
4602	3' straight flue pipe
4604	1' straight flue pipe with door
4605	2' straight flue pipe with door
4606	3' straight flue pipe with door
4642	1' 3" – 2' 1" telescopic straight flue pipe
4640	3' 4" – 4' 6" telescopic straight flue pipe
4616	Tee piece with end cap

Kensal 60HB

For even greater heating capacity choose the Kensal 60HB. This powerful model provides nominal heat outputs to your living space of 6kW and 11kW to the boiler so you can feed up to fourteen 2500BTU radiators in addition to a standard 8000BTU hot water cylinder. Available as a multi-fuel model or as a dedicated woodburning version.



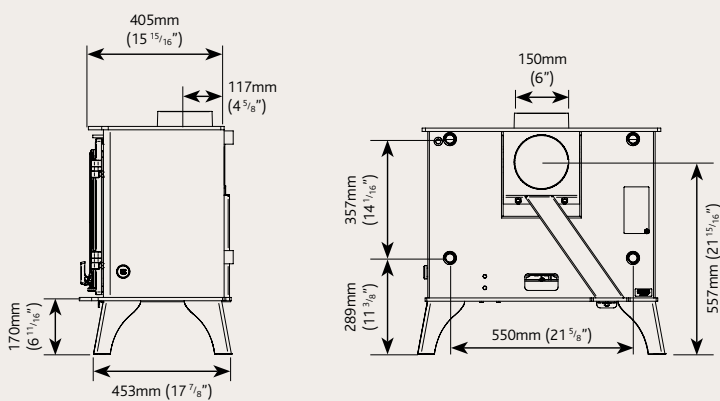
- Dedicated woodburning only model or multi-fuel model with external riddling
- Optional woodburning tray for multi-fuel model
- Maximum system rating 13kw (44,000BTU)
- Maximum log length 50cm
- Cleanburn & Airwash
- Flat top
- Removable window crosses for 'clear door' option
- Top or rear flue outlet
- Traditional matt black finish
- Thermostatic control to maintain desired running temperature



carbon
neutral
energy™



Kensal 60HB Mutli-fuel Boiler Stove with window crosses burning logs



For front diagrams & dimensions, please see page 13

Product Codes *Description*

RF-KEN60HBMF2	Kensal 60HB Boiler stove - Multi-fuel
RF-KEN60HBW2	Kensal 60HB Boiler stove - Woodburner
RF-K11HBWT	Woodburning tray for Kensal 60HB Boiler
RF-KSTATST	Thermostat for Kensal Boiler Stoves

4600	1' straight flue pipe
4601	2' straight flue pipe
4602	3' straight flue pipe
4604	1' straight flue pipe with door
4605	2' straight flue pipe with door
4606	3' straight flue pipe with door
4642	1' 3" – 2' 1" telescopic straight flue pipe
4640	3' 4" – 4' 6" telescopic straight flue pipe
4616	Tee piece with end cap



Kensal 60 Woodburner with window crosses removed burning logs.

Kensal pursue a policy of constant product improvement. Products may therefore differ in specification from those illustrated and described in this brochure. All of the flame pictures shown are taken from real fires. Please note however that flame pictures will vary depending on the exact fuel used, flue conditions and surrounding geographical features. Some of the photography in this brochure may not comply with the latest Building Regulations and you should always check your proposed installation with your HETAS installer before proceeding.

The information on these pages is to assist you in your choice of a suitable Kensal stove. This is not intended to be all the information required for installation. This information, along with minimum distances to combustible materials, can be obtained from your local retailer. The chimney system must meet the requirements of Building Regulations (Document J) and the stove must be fitted in accordance with the detailed installation instructions provided with each unit. Furthermore, by law all installations also require a Carbon Monoxide monitor (such as product code 3045 available from Stovax).

Please note that all parts of these stoves, particularly the glass panel in the door, become extremely hot during operation and can result serious injury and burns if touched. It is therefore recommended that a fireguard complying with BS 8423:2002 is used in the presence of young children, the elderly or infirm.



To view the complete range of brochures within the Stovax group, simply scan this code or visit www.stovax.com

KENSAL

Osprey Road, Sowton Industrial Estate, Exeter, Devon EX2 7JG

Tel: 01392 444070 Fax: 01392 444804

E-mail: kensal@gazco.com

www.kensalstoves.com

A division of Gazco Ltd.

A member of the Stovax Group

Paper sourced from sustainable forests and printed using vegetable based inks

Your Kensal Retailer:



© All material Copyright Gazco Limited 2013 E & O E

Brochure Ref: KENSALBRO0713