



A British company
established in 1992.*



CAPITAL
FIREPLACES



Fireplace Collection

www.capitalfireplaces.co.uk

Contents

Natural Stone Mantels

Ashcombe 54" Agean Limestone.....	4
Balham 56" Agean Limestone.....	6
Chancery 52" Agean Limestone.....	8
Everley 48" Agean Limestone.....	10
Hanwell 54" Agean Limestone.....	12
Hersham 48" Agean Limestone.....	14
Hersham 54" Agean Limestone.....	16
Hersham 54" Carrara Marble.....	17
Hersham 54" Liberty White Marble.....	18
Hersham 54" Umbrian Stone.....	20
Kensington 56" Agean Limestone.....	22
Kensington 56" Liberty White.....	24
Kensington 56" in Umbrian Stone.....	26
Mulholland 54" Agean Limestone.....	28
Mulholland 54" Umbrian Stone.....	30
Regent 57" Agean Limestone.....	32
Regent 57" Carrara Marble.....	34
Sandringham 54" Carrara Marble.....	36
Sandringham 54" Liberty White Marble.....	38
Swinford 48" Agean Limestone.....	40

Oak Mantels

Byron 46" Solid Oak	42
Copgrove 54" Solid Oak	44

Fuel Key



Cast Iron Fireplaces

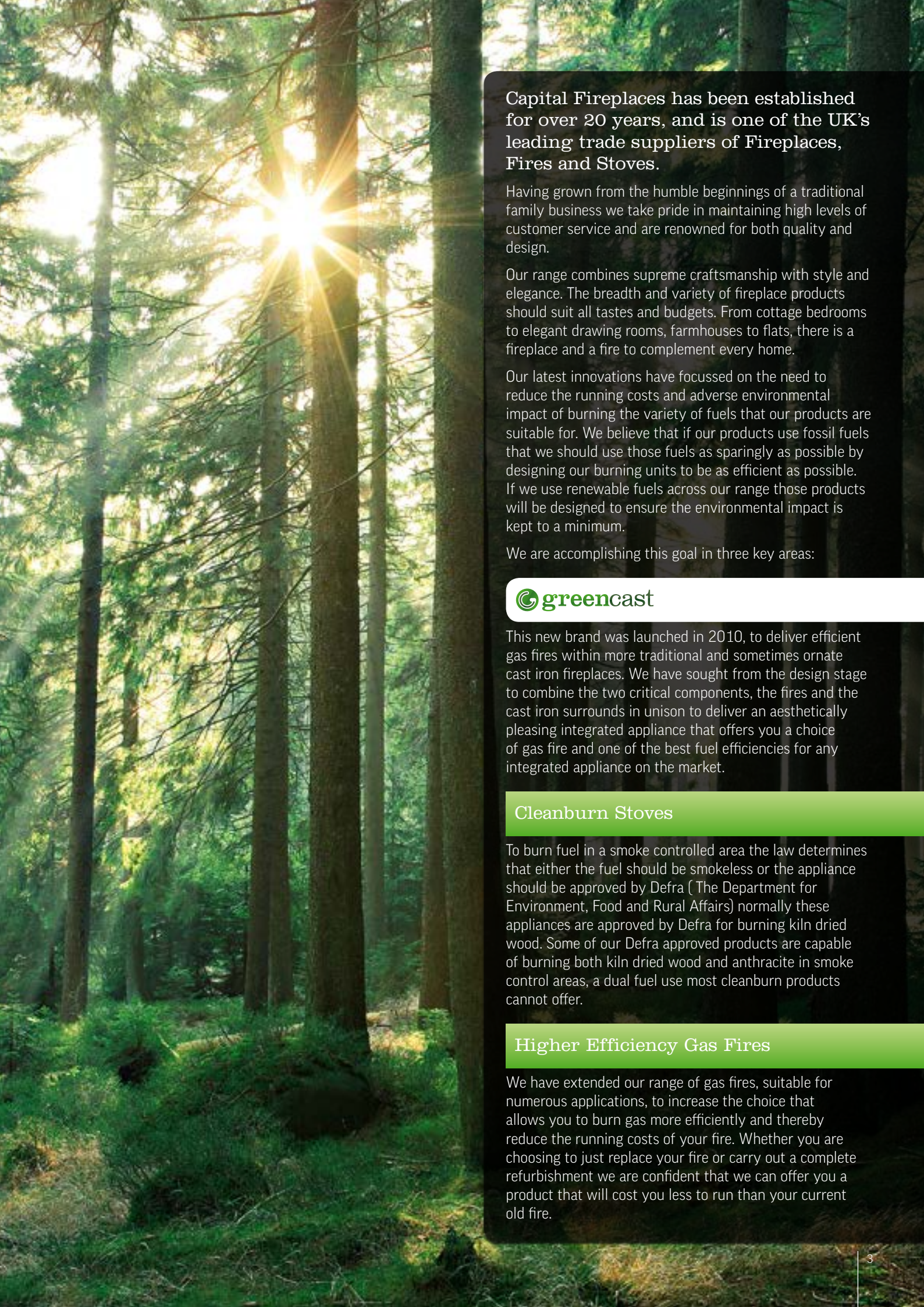
Fairburn 36" Black.....	46
Fairburn 36" Full Polished	48
Fairburn 36" Highlight	50
Fairburn 48" Black.....	52
Fairburn 48" Full Polished	54
Harewood 36" Black.....	56
Harewood 36" Full Polished.....	58
Harewood 36" Highlight	60

Firebaskets

Danbury Baskets	62
Arundel Basket.....	64
Bamburgh Basket.....	64
Osterley Basket	66
Burghley Basket	67

Range summary & technical information

Mantels at a glance	68
Decorative Open Fronted Gas Fires.....	70
Open Fronted Gas Convector Fires.....	72
Glass Fronted Gas Convector Fire.....	74
Gas Fire Trim, Fret & Fireframe Options.....	76
Lectro Electric Inset Fire.....	78
Electric Fire Trim, Fret & Fireframe Options.....	80
greencast products at a glance.....	82
Cast Iron Fireplaces at a glance	83
Cast Iron Interiors at a glance.....	84
Cast Iron plates at a glance	85
Tiles inserts at a glance.....	85
Notes	86
Aftercare & maintenance	87



Capital Fireplaces has been established for over 20 years, and is one of the UK's leading trade suppliers of Fireplaces, Fires and Stoves.

Having grown from the humble beginnings of a traditional family business we take pride in maintaining high levels of customer service and are renowned for both quality and design.

Our range combines supreme craftsmanship with style and elegance. The breadth and variety of fireplace products should suit all tastes and budgets. From cottage bedrooms to elegant drawing rooms, farmhouses to flats, there is a fireplace and a fire to complement every home.

Our latest innovations have focussed on the need to reduce the running costs and adverse environmental impact of burning the variety of fuels that our products are suitable for. We believe that if our products use fossil fuels that we should use those fuels as sparingly as possible by designing our burning units to be as efficient as possible. If we use renewable fuels across our range those products will be designed to ensure the environmental impact is kept to a minimum.

We are accomplishing this goal in three key areas:

greencast

This new brand was launched in 2010, to deliver efficient gas fires within more traditional and sometimes ornate cast iron fireplaces. We have sought from the design stage to combine the two critical components, the fires and the cast iron surrounds in unison to deliver an aesthetically pleasing integrated appliance that offers you a choice of gas fire and one of the best fuel efficiencies for any integrated appliance on the market.

Cleanburn Stoves

To burn fuel in a smoke controlled area the law determines that either the fuel should be smokeless or the appliance should be approved by Defra (The Department for Environment, Food and Rural Affairs) normally these appliances are approved by Defra for burning kiln dried wood. Some of our Defra approved products are capable of burning both kiln dried wood and anthracite in smoke control areas, a dual fuel use most cleanburn products cannot offer.

Higher Efficiency Gas Fires

We have extended our range of gas fires, suitable for numerous applications, to increase the choice that allows you to burn gas more efficiently and thereby reduce the running costs of your fire. Whether you are choosing to just replace your fire or carry out a complete refurbishment we are confident that we can offer you a product that will cost you less to run than your current old fire.

Natural Stone Mantels

Ashcombe 54" in Agean Limestone

Backpanel

Merrick highlight cast iron

Fire

Glass fronted gas convector (slide control)
Flare Fireframe polished

Hearth

Polished granite

Fuel options for Backpanels





Higher Efficiency Gas Fire



Natural Stone Mantels

Balham 56" in Agean Limestone

Backpanel

Provident highlight cast iron

Fire

Glass fronted gas convector (slide control)
Provident Fireframe in Black

Hearth

Polished granite

Fuel options for Backpanels



Natural Stone Mantels

Chancery 52" in Agean Limestone

Backpanel

Oxford highlight cast iron

Stove

Sirius 450 Traditional Inset Cleanburn

Hearth

Polished granite (slabbed for solid fuel)

Fuel options for Backpanel







Natural Stone Mantels

Everley 48" in Agean Limestone

Arch

Wandsworth 14" highlight cast iron

Fire

Bespoke gas burner

Hearth

Polished granite

Fuel options Arches



Natural Stone Mantels

Hanwell 54" in Agean Limestone

Backpanel

Oxford highlight cast iron

Fire

Glass fronted gas convector (slide control)
Capella Fireframe polished

Hearth

Polished granite

Fuel options for Backpanels



Higher Efficiency Gas Fire



Natural Stone Mantels

Hersham 48" in Agean Limestone

Arch

Wandsworth 14" black cast iron

Fire

Real wood

Hearth

Polished granite (slabbed for solid fuel)

Fuel options for Arches





Natural Stone Mantels

Hersham 54" in Agean Limestone

Arch

Wandsworth highlight cast iron

Fire

Bespoke gas burner

Hearth

Polished granite

Fuel options for Arches



Higher Efficiency Gas Fire



Insert option (above)

Provident cast iron backpanel
Glass fronted gas convector fire (slide control)
Provident Fireframe highlight









Natural Stone Mantels

Hersham 54" in Carrara Marble

(also available in Liberty White Marble)

Arch

Carlisle highlight cast iron

Fire

Bespoke gas burner

Hearth

Honed granite

Fuel options for Arches



Hersham 54" Liberty White Marble (above)



Natural Stone Mantels

Hersham 54" in Umbrian Honed Stone 1" Rebate

Also available in 48"

Arch

Wandsworth 16" in Black

Fire

Real Wood

Hearth

Honed Granite (slabbed for solid fuel)

Fuel options for Arches



Natural Stone Mantels

Kensington 56" in Agean Limestone

Fascia

Capital Classic Steel Polished Fascia Plate and back plate

Fire

Decorative open fronted gas, Capital magnetic trim brushed steel and Bauhaus fret polished

Hearth

Agean Limestone

Fuel options for Steel Plates







Natural Stone Mantels

Kensington 56" in Liberty White Marble

Arch

Carlisle black cast iron

Fire

Shown without a fire (decorative lights not included)

Hearth

Honed granite (slabbed for solid fuel)

Fuel options for Arches



Natural Stone Mantels

Kensington 56" in Umbrian Stone 1" Rebate

Chamber

Rustic Herringbone Brick

Stove

Sirius Scene 490

Hearth

Polished granite

Fuel options for





Natural Stone Mantels

Mulholland 54" in Agean Limestone

(Shown with cushion fitted)

Insert

 greencast Wandsworth highlight cast iron arch

Fire

 greencast balanced flue gas fire

Hearth

Honed granite

Fuel options for greencast cast iron arch





Natural Stone Mantels

Mulholland 54" in Umbrian Honed Stone 1" Rebate

Fascia

Capital Classic Steel Polished Fascia

Stove

Sirius Traditional

Chamber

Reeded Fireboard

Hearth

Honed Granite

Fuel options for Sirius Stoves





Natural Stone Mantels

Regent 57" in Agean Limestone

Arch

Wandsworth black cast iron (large burning area)

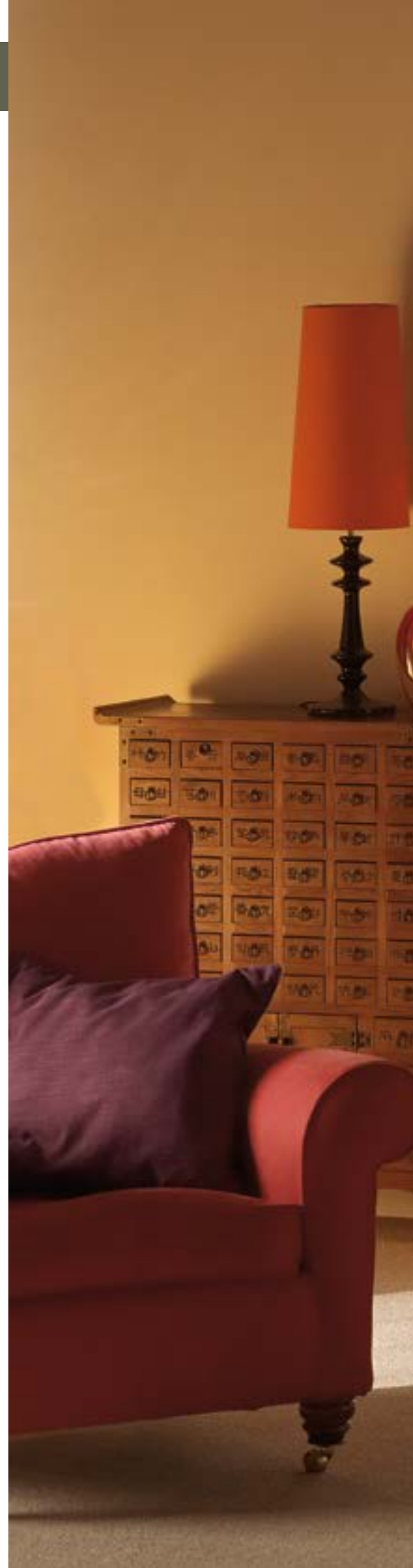
Fire

Real wood

Hearth

Slate hearth (slabbed for solid fuel)

Fuel options for Arches







Natural Stone Mantels

Regent 57" in Carrara Marble

Backpanel

Provident highlight cast iron

Fire

Glass fronted gas convector (slide control)
Provident Fireframe highlight

Hearth

Honed Granite

Fuel options for Backpanels





Natural Stone Mantels

Sandringham 54" in Carrara Marble

Arch

Wandsworth full polished cast iron

Fire

Bespoke gas burner

Hearth

Waterfall polished granite (illustration purposes only)

Fuel options for Arches



Natural Stone Mantels

Sandringham 54" in Liberty White Marble

Arch

Carlisle highlight cast iron

Fire

Solid Fuel

Hearth

Polished Granite

Fuel options for Arches









Natural Stone Mantels

Swinford 48" in Agean Limestone

Chamber

Rustic brick

Stove

Essence 405

Hearth

Honed granite (slabbed for solid fuel)

Fuel options for Sirius Stoves



Oak Mantels

Byron 46" Solid Oak

(option with under mantel ambient lighting available)

Backpanel

Polished granite

Fire

Open fronted Gas convector with Halo Fireframe

Hearth

Polished granite

Fuel options for Backpanels



Higher Efficiency Gas Fire



Oak Mantels

Copgrove 54" Solid Oak

(option with under mantel ambient lighting available)

Backpanel

Oxford highlight cast iron

Fire

Open fronted gas convector (manual control)
Capella Fireframe polished

Hearth

Polished granite

Fuel options for Backpanels



Higher Efficiency Gas Fire







Cast Iron Fireplaces

Fairburn 36" in Black

Fire

Real wood

Hearth

Polished granite (slabbed for solid fuel)

Fuel options for Cast Iron Fireplaces



Cast Iron Fireplaces

Fairburn 36" in Full Polished

Fire

Bespoke gas burner

Hearth

Polished granite

Fuel options for Cast Iron Fireplaces





Cast Iron Fireplaces

Fairburn 36" in Highlight

Fire

Bespoke gas burner

Hearth

Polished granite

Fuel options for Cast Iron Fireplaces









Cast Iron Fireplaces

Fairburn 48" in Black

Fire

Real wood

Hearth

Polished granite (slabbed for solid fuel)

Fuel options for Cast Iron Fireplaces



Cast Iron Fireplaces

Fairburn 48" in Full Polished

Fire

Bespoke gas burner

Hearth

Polished granite

Fuel options for Cast Iron Fireplaces





Cast Iron Fireplaces

Harewood 36" in Black

Fire

Real wood

Hearth

Basalt Tiled (slabbed for solid-fuel)

Fuel options for Cast Iron Fireplaces





Cast Iron Fireplaces

Harewood 36" in Full Polished

Fire

Bespoke gas burner

Hearth

Honed granite

Fuel options for Cast Iron Fireplaces







Cast Iron Fireplaces

Harewood 36" in Highlight

Fire

Bespoke gas burner

Hearth

Polished granite

Fuel options for Cast Iron Fireplaces







Firebaskets

Danbury

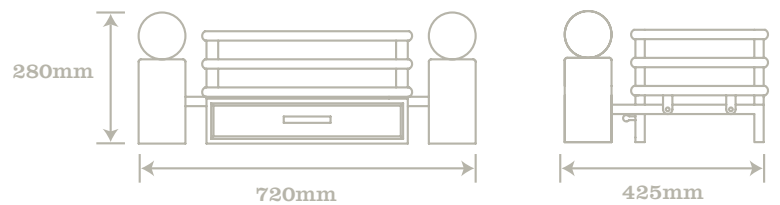
Fire

Solid Fuel

Fuel options for Cast Iron Baskets



Model	Danbury		
Fuel	Electric	Gas	Multi Fuel
Output	1kW or 2kW	Variable	Variable
Gas Type	N/A	Natural Gas (LPG option available)	N/A
Fuel Bed	Coal	Coal as standard	All solid fuels (not supplied)
Material	Cast Iron		



Arundel Black



Bamburgh Full Polished With Back



Firebaskets



Arundel Full Polished

Fuel options for
Cast Iron Baskets



Bamburgh Black
With Back



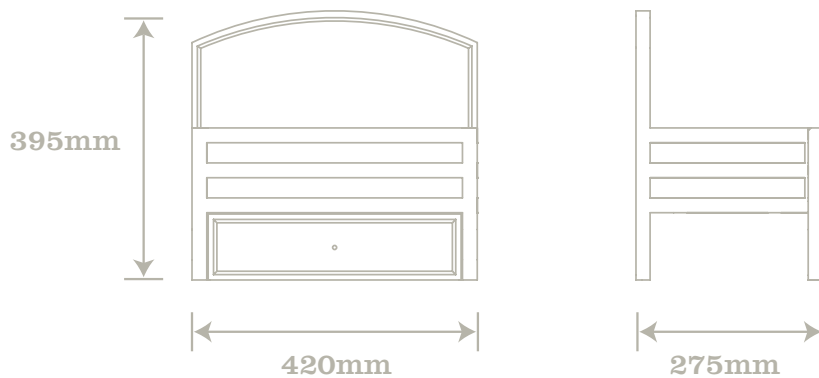
Bamburgh Black
No Back



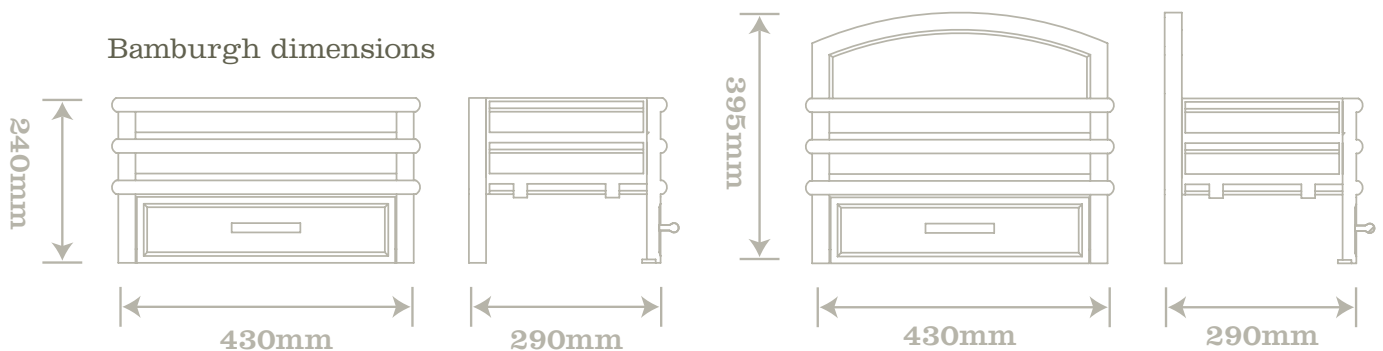
Bamburgh Full Polished
No Back

Model	Arundel / Bamburgh		
Fuel	Electric	Gas	Multi Fuel
Output	1kW or 2kW	Up to 6.9kW	Variable
Gas Type	N/A	Natural Gas (LPG option available)	N/A
Fuel Bed	Coal	Coal as standard	All solid fuels (not supplied)
Material	Cast Iron		

Arundel dimensions



Bamburgh dimensions

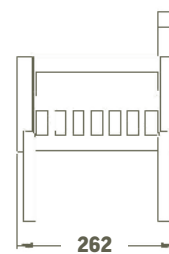
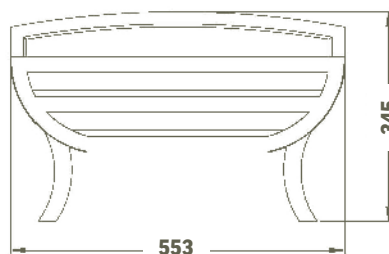


Firebaskets

Osterley

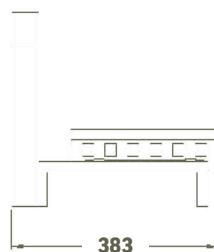
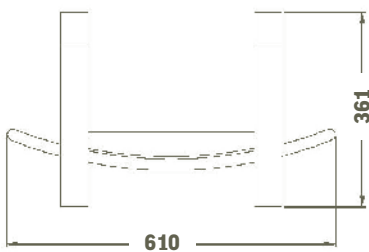


Model	Osterley
Fuel	Multi Fuel
Output	Variable
Gas Type	N/A
Fuel Bed	All solid fuels (not supplied)
Material	Cast Iron



Firebaskets

Burghley



Model	Burghley
Fuel	Multi Fuel
Output	Variable
Gas Type	N/A
Fuel Bed	All solid fuels (not supplied)
Material	Cast Iron

Mantels at a glance



THE ASHCOMBE 54"

AVAILABLE IN AGEAN LIMESTONE



THE BALHAM 56"

AVAILABLE IN AGEAN LIMESTONE



THE CHANCERY 52"

AVAILABLE IN AGEAN LIMESTONE



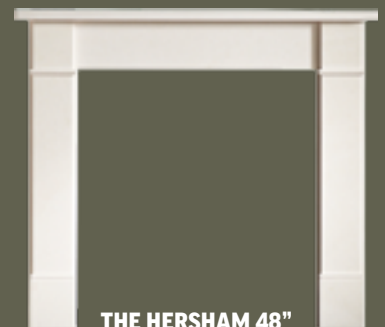
THE EVERLEY 48"

AVAILABLE IN AGEAN LIMESTONE



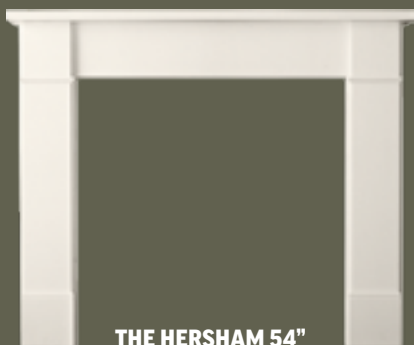
THE HANWELL 54"

AVAILABLE IN AGEAN LIMESTONE



THE HERSHAM 48"

AVAILABLE IN AGEAN LIMESTONE
& HONED UMBRIAN



THE HERSHAM 54"

AVAILABLE IN AGEAN LIMESTONE,
CARRARA MARBLE, HONED UMBRIAN
& LIBERTY WHITE MARBLE



THE KENSINGTON 56"

AVAILABLE IN AGEAN LIMESTONE,
LIBERTY WHITE MARBLE
& HONED UMBRIAN



THE MULHOLLAND 54"

AVAILABLE IN AGEAN LIMESTONE
& HONED UMBRIAN

Mantels at a glance



THE REGENT 57"

AVAILABLE IN AGEAN LIMESTONE
& CARRARA MARBLE



THE SANDRINGHAM 54"

AVAILABLE IN CARRARA MARBLE
& LIBERTY WHITE MARBLE



THE SWINFORD 48"

AVAILABLE IN AGEAN LIMESTONE



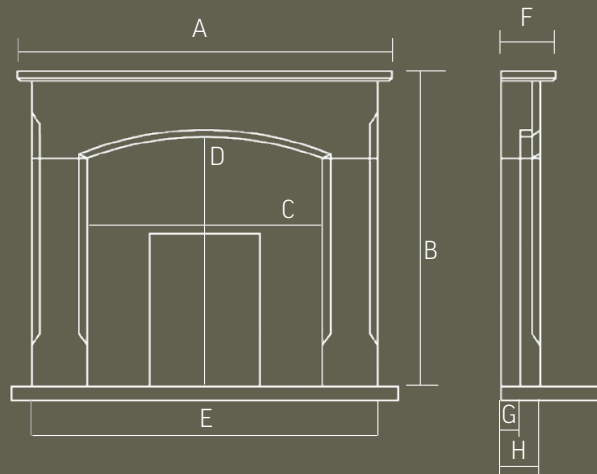
THE BYRON 46"

AVAILABLE IN SOLID OAK



THE COPGROVE 54"

AVAILABLE IN SOLID OAK



	A	B	C	D	E	F	G	H
ASHCOMBE 54"	1370	1090	915	900	1275	190	75	145
BALHAM 56"	1420	1145	915	915	1305	230	75	165
BYRON 46"	1170	1095	830	900	1130	205	25	150
CHALFONT 60"	1525	1230	915	915	1430	220	75	180
CHANCERY 52"	1320	1120	915	915	1330	170	75	175
COPGROVE 54"	1370	1140	915	915	1275	195	25	155
EVERLEY 48"	1220	1090	730	860	1115	180	75	150
HANWELL 54"	1370	1145	915	915	1305	190	75	155

	A	B	C	D	E	F	G	H
HERSHAM 48"	1220	1080	785	880	1115	180	75	140
HERSHAM 54"	1370	1115	915	915	1305	180	75	140
KENSINGTON 56"	1420	1180	915	915	1285	200	75	130
MULHOLLAND 54"	1380	1265	915	915	1255	170	75	145
REGENT 57"	1450	1130	915	915	1340	230	75	180
SANDRINGHAM 54"	1370	1145	915	915	1285	260	75	150
SWINFORD 48"	1220	1030	720	810	1120	200	75	150

All measurements in mm. Overall height does not include hearth

Gas Fires

Decorative Open Fronted Gas Fire



Antique Brass finish Trim & 16" Bauhaus Fret

Trim & Fret Options



Antique Brass finish Trim
& 16" Bauhaus Fret



Black Trim
& 16" Bauhaus Fret



Brushed Steel Trim
& 16" Bauhaus Fret polished



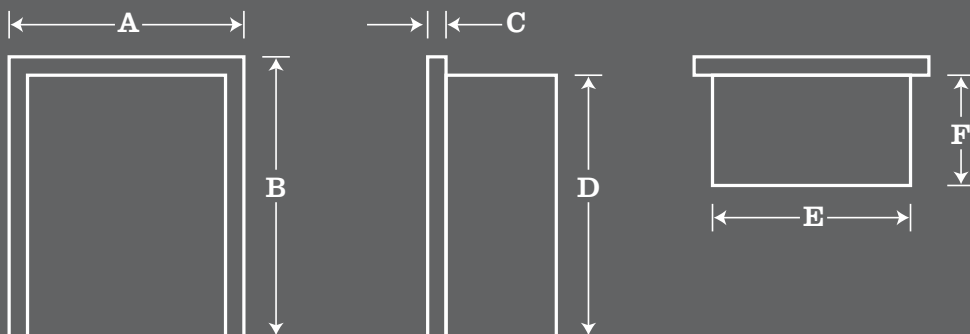
Diamond Black finish Trim
& 16" Bauhaus Fret



Polished Steel Trim & 16"
Bauhaus Fret chrome

Decorative Open Fronted Gas Fire

Model	Radiant Hotbox
Suitability	Class I Chimney
Heat Input	6.9kW
Heat Output	Up to 3.5kW
Gas Type	Natural Gas (LPG option available)
Controls	Manual
Air Vent Required	Not normally required
Fuel Bed	Coal standard (Pebbles are available as an optional extra)
Efficiency (net)	Up to 50%



Dimensions

A	510mm
B	610mm
C	10mm
D	555mm
E	405mm
F	245mm

Open Fronted Gas Convector Fire

Higher Efficiency Gas Fire



Mizar Polished Fireframe

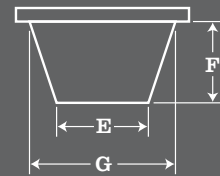
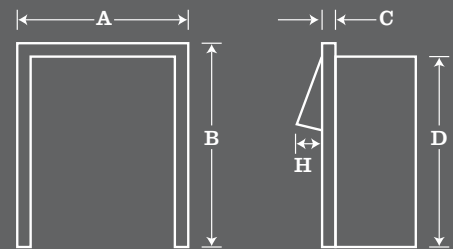
Open Fronted Gas Convector Fire



Halo Black Fireframe

Open Fronted Gas Convector Fire

Model	Open Fronted Gas Convector	
Suitability	Class I	Class II
Heat Input	6.9kW	6kW
Heat Output	Up to 4kW	Up to 3.4kW
Gas Type	Natural Gas (LPG option available)	
Controls	Manual or Slide	
Air Vent Required	Not normally required	
Fuel Bed	Coal	
Efficiency (net)	Up to 65%	Up to 61%



Class I Dimensions

	Abri	Capella	Flare	Mizar	Provident	Halo	Trim & Fret
A	520mm	520mm	520mm	520mm	590mm	602mm	510mm
B	655mm	615mm	635mm	615mm	740mm	662mm	610mm
C	80mm	75mm	75mm	75mm	85mm	104mm	85mm
D	545mm	545mm	545mm	545mm	545mm	545mm	545mm
E	300mm	300mm	300mm	300mm	300mm	300mm	300mm
F	235mm	235mm	235mm	235mm	235mm	235mm	235mm
G	385mm	385mm	385mm	385mm	385mm	385mm	385mm
H	50mm	45mm	40mm	45mm	70mm	45mm	50mm

Class II Dimensions

	Abri	Capella	Flare	Mizar	Provident	Trim & Fret
A	520mm	520mm	520mm	520mm	590mm	510mm
B	655mm	615mm	635mm	615mm	740mm	610mm
C	80mm	75mm	75mm	75mm	85mm	85mm
D	545mm	545mm	545mm	545mm	545mm	545mm
E	265mm	265mm	265mm	265mm	265mm	265mm
F	135mm	135mm	135mm	135mm	135mm	135mm
G	330mm	330mm	330mm	330mm	330mm	330mm
H	50mm	45mm	40mm	45mm	70mm	50mm

Glass Fronted Gas Convector Fire

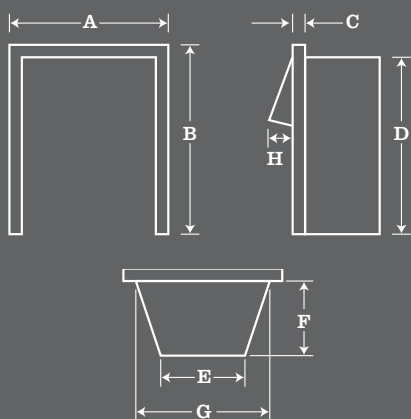


Polished Bauhaus Fret & Brushed Steel Trim



Capella Fireframe Bronze finish

Glass Fronted Gas Convector Fire	
Model	Glass Fronted Gas Convector Fire
Suitability	Class I Flue or Class II Flue
Heat Input	5 kW
Heat Output	Up to 4.4 kW
Gas Type	Natural Gas
Controls	Slide
Air Vent Required	Not normally required
Fuel Bed	Coal Only
Efficiency (net)	Up to 89%



Dimensions

	Abri	Capella	Flare	Mizar	Provident	Halo	Trim & Fret
A	520mm	520mm	520mm	520mm	590mm	602mm	510mm
B	655mm	615mm	635mm	615mm	740mm	662mm	610mm
C	80mm	75mm	75mm	75mm	85mm	104mm	85mm
D	545mm	545mm	545mm	545mm	545mm	545mm	545mm
E	300mm	300mm	300mm	300mm	300mm	300mm	300mm
F	235mm	235mm	235mm	235mm	235mm	235mm	235mm
G	385mm	385mm	385mm	385mm	385mm	385mm	385mm
H	50mm	45mm	40mm	45mm	70mm	45mm	50mm

Gas Fire Trim, Fret & Fireframe Options



Abri Fireframe
antique brass



Abri Fireframe
black



Abri Fireframe
bronze finish



Abri Fireframe
dark luster



Capella Fireframe
antique brass



Capella Fireframe
black



Capella Fireframe
bronze finish



Capella Fireframe
dark luster



Flare Fireframe
antique brass



Flare Fireframe
black



Flare Fireframe
bronze finish



Flare Fireframe
dark luster



Mizar Fireframe
antique brass



Mizar Fireframe
black



Mizar Fireframe
bronze finish



Mizar Fireframe
dark luster

TRIM, FRET & FIREFRAME OPTIONS WILL FIT ALL OPEN CONVECTOR FIRES (Pages 72/73)

Gas Fire Trim, Fret & Fireframe Options



Abri Fireframe
polished



Antique brass finish
Trim & 16" Bauhaus Fret



Black Trim & 16"
Bauhaus Fret



Brushed Steel Trim & 16"
Bauhaus Fret polished



Capella Fireframe
polished



Polished Steel Trim & 16"
Bauhaus Fret chrome



Diamond Black finish Trim &
16" Bauhaus Fret



Flare Fireframe
polished



Provident Fireframe
black



Provident Fireframe
highlight



Mizar Fireframe
polished



Halo Fireframe black
(not suitable for Class II fires)

GLASS FRONTED CONVECTOR (Pages 74/75) & ELECTRIC INSET FIRE (Pages 78/79)

FOR FIREFRAME & TRIM DIMENSIONS SEE PAGES 73 & 75

Lectro Electric Inset Fire



Brushed Steel Trim & 16" Bauhaus Fret polished

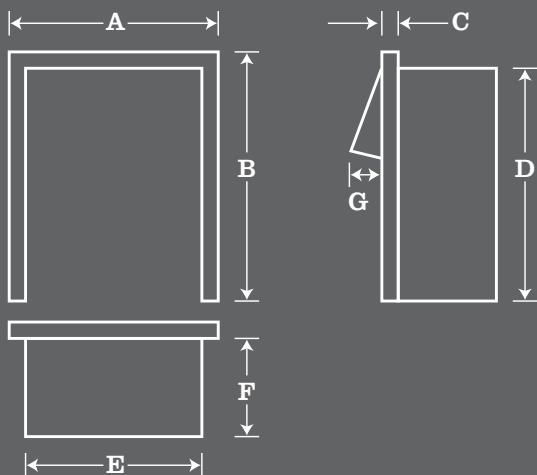


Abri Antique Brass Fireframe



Provident Back Panel & Fireframe

Lectro Electric Inset Fire	
Model	16" Electric Inset Fire
Suitability	No Chimney required
Heat Output	Variable: effect only, 1kW & 2kW
Fuel Type	Electric
Controls	Manual or Remote
Fuel Bed	Coal or Pebbles (both supplied)
Efficiency (net)	Up to 98% at point of use



Dimensions							
	Abri	Capella	Flare	Mizar	Provident	Halo	Trim & Fret
A	520mm	520mm	520mm	520mm	590mm	602mm	510mm
B	655mm	615mm	635mm	615mm	740mm	662mm	610mm
C	80mm	75mm	75mm	75mm	85mm	104mm	10mm
D	565mm	565mm	565mm	565mm	565mm	545mm	565mm
E	410mm	410mm	410mm	410mm	410mm	300mm	410mm
F	75mm	75mm	75mm	75mm	75mm	235mm	75mm
G	60mm	60mm	60mm	60mm	60mm	385mm	60mm
H	50mm	45mm	40mm	45mm	70mm	45mm	50mm

Electric Fire Trim, Fret & Fireframe Options



Abri Fireframe
antique brass



Abri Fireframe
black



Abri Fireframe
bronze finish



Abri Fireframe
dark luster



Capella Fireframe
antique brass



Capella Fireframe
black



Capella Fireframe
bronze finish



Capella Fireframe
dark luster



Flare Fireframe
antique brass



Flare Fireframe
black



Flare Fireframe
bronze finish



Flare Fireframe
dark luster



Mizar Fireframe
antique brass



Mizar Fireframe
black



Mizar Fireframe
bronze finish



Mizar Fireframe
dark luster

TRIM, FRET & FIREFRAME OPTIONS WILL FIT ALL OPEN CONVECTOR FIRES (Pages 72/73)

FOR FIREFRAME & TRIM DIMENSIONS SEE PAGES 73 & 75

Electric Fire Trim, Fret & Fireframe Options



Abri Fireframe
polished



Antique brass finish
Trim & 16" Bauhaus Fret



Black Trim & 16"
Bauhaus Fret



Brushed Steel Trim & 16"
Bauhaus Fret polished



Capella Fireframe
polished



Polished Steel Trim & 16"
Bauhaus Fret chrome



Diamond Black finish Trim &
16" Bauhaus Fret



Flare Fireframe
polished



Provident Fireframe
black



Provident Fireframe
highlight



Mizar Fireframe
polished



Halo Fireframe black

GLASS FRONTED CONVECTOR (Pages 74/75) & ELECTRIC INSET FIRE (Pages 78/79)

FOR FIREFRAME & TRIM DIMENSIONS SEE PAGES 73 & 75

This new brand was launched in 2010, to deliver efficient gas fires within more traditional and sometimes ornate cast iron fireplaces.

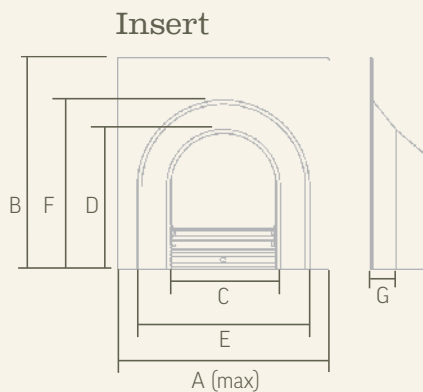
We have sought from the design stage to combine the two critical components, the fires and the cast iron surrounds in unison to deliver an aesthetically pleasing integrated appliance that offers you a choice of gas fire and one of the best fuel efficiencies for any integrated appliance on the market.



 **WANDSWORTH HIGHLIGHT CAST IRON ARCH**

FIRE	INPUT	OUT PUT	CHAMBER DEPTH	EFFICIENCY	CERAMICS
					COAL
FULL DEPTH OPEN FRONTED CONVECTOR	6.9kW	3.5kW	230	55.8%	✓
SLIMLINE OPEN FRONTED CONVECTOR	6.5kW	2.6kW	90	44.0%	✓
FULL DEPTH GLASS FRONTED CONVECTOR	5.0kW	2.9kW	230	64.2%	✓
SLIMLINE GLASS FRONTED CONVECTOR	4.0kW	2.7kW	90	74.0%	✓
BALANCED FLUE *	4.6kW	3.9kW	130	94.0%	✓

NATURAL GAS FIRES ONLY



	A	B	C	D	E	F	G	H
GREENCAST WANDSWORTH	940	940	455	690	800	855	75	n/a

Cast iron fireplaces at a glance



FAIRBURN 36"
BLACK



FAIRBURN 36"
FULL POLISHED



FAIRBURN 36"
HIGHLIGHT



FAIRBURN 48"
BLACK



FAIRBURN 48"
FULL POLISHED



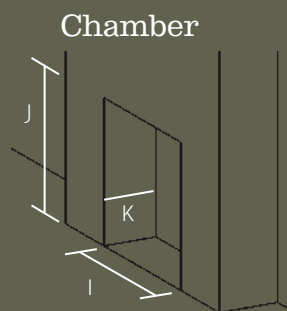
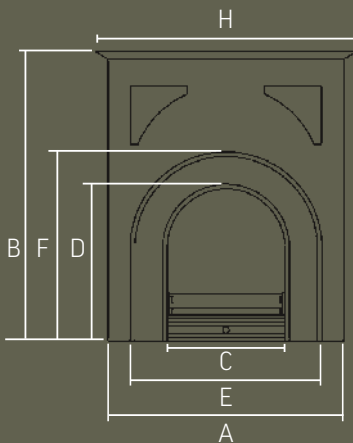
HAREWOOD 36"
BLACK



HAREWOOD 36"
FULL POLISHED



HAREWOOD 36"
HIGHLIGHT



	A	B	C	D	E	F	G	H	I	J	K
FAIRBURN 36"	780	1000	455	655	595	730	N/A	915	580	730	300
FAIRBURN 48"	1015	1185	450	655	745	805	N/A	1200	580	730	300
HAREWOOD	780	1015	410	550	640	805	N/A	915	470	615	220

Cast Iron Interiors at a glance



CARLISLE BLACK



CARLISLE HIGHLIGHT



WANDSWORTH BLACK



WANDSWORTH FULL POLISHED



WANDSWORTH HIGHLIGHT



WANDSWORTH 14" BLACK



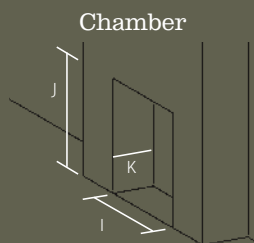
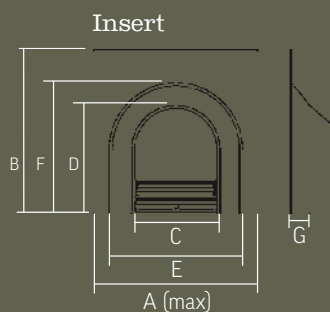
WANDSWORTH 14" HIGHLIGHT



MERRICK HIGHLIGHT



OXFORD HIGHLIGHT



	A	B	C	D	E	F	G	I*	J**	K***
CARLISLE	940	940	405	645	825	850	70	430	710	180
WANDSWORTH	1016	1016	450	665	795	835	80	530	730	190
WANDSWORTH 14"	940	940	365	665	675	820	75	440	730	160
CAPITAL CLASSIC PLATE	980	980	420	570	865	890	n/a	n/a	n/a	n/a
CAPITAL PLAIN PLATE	980	980	420	575	690	795	n/a	n/a	n/a	n/a
MERRICK	980	980	420	575	860	865	75	n/a	n/a	n/a
NOUVEAU	940	940	410	575	841	890	75	470	615	200
OXFORD	980	980	420	575	865	865	75	n/a	n/a	n/a
PROVIDENT	980	980	420	575	805	850	65	n/a	n/a	n/a



PROVIDENT
BACKPANEL
HIGHLIGHT

* allows 30mm each side for tolerances and backfilling
 ** allows 30mm clearance under lintol and 50mm hearth
 *** allows a gap of 30mm for back filling and to take up tolerance.
 This dimension assumes that the hob is fitted in a 75mm rebated mantel

Cast Iron plates at a glance



CAPITAL PLAIN CAST IRON POLISHED FASCIA
(BLACK STEEL BACK PLATE)
SUITABLE FOR USE WITH MULTI-FUEL



CAPITAL PLAIN CAST IRON POLISHED FASCIA
(POLISHED CAST IRON BACK PANEL)

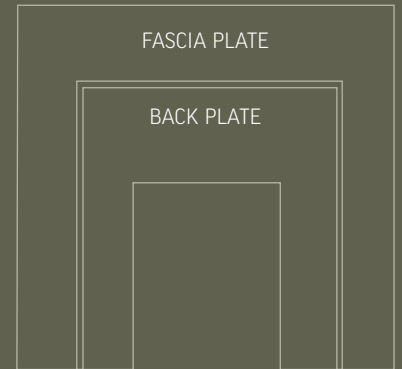


CAPITAL CLASSIC CAST IRON POLISHED FASCIA
(BLACK STEEL BACK PLATE)
SUITABLE FOR USE WITH MULTI-FUEL



CAPITAL CLASSIC CAST IRON POLISHED FASCIA
(POLISHED CAST IRON BACK PANEL)

STEEL PLATES COME IN TWO SEPARATE OVERLAPPING PIECES



NOUVEAU BLACK



NOUVEAU HIGHLIGHT

Tiled Inserts at a glance

STONE & MARBLE

All our natural stone and marble products are sealed during the manufacturing process. This is an initial protective coating which helps to reduce the porosity of the stone or marble. We would recommend that once your fireplace has been installed, it should be cleaned and left to dry and resealed using proprietary cleaners and sealers (your retailer will be able to advise). Surprisingly, marble is quite porous and as such can stain just as easily as limestone or sandstone which appears to be more porous than marble. These products can be cleaned from time to time and special care kits are available from your retailer. There are also occasions where accidental damage can occur, where minor chips or scratches “appear”. Stone and Marble are very forgiving materials and can be carefully sanded down to bring the surfaces back to their initial glory. Each fireplace is provided with a detailed installation, care and maintenance leaflet which explains more about this – please ask your installer to leave this with you.

CAST IRON AND STEEL

The Cast Iron Fireplaces, hobs, inserts and stoves are made from cast iron and steel components and as such are prone to rusting if they come into contact with moisture. It has been known that a cast iron product has changed from highly polished to bright orange over night, when it was fitted into a house that had been newly plastered. Our products are delivered to your retailer with a thick protective coating which is to be removed once it has been installed (and when the plaster has dried out). From then on the products are vulnerable to rust and so we recommend a weekly routine of wiping down the unpainted parts of your hob or insert fireplace with WD40 or similar.

When burning fossil fuels, it is your responsibility to ensure that you use smokeless fuels if you live in a smoke free zone. We suggest that you use fuels recommended by the Solid Fuel Association (www.solidfuel.co.uk). No responsibility can be accepted if high temperature fuels have been used, or if your chimney has excessive draft. Your retailer will be able to advise.

We recommend that you clean ash away regularly as this can cause premature failure of the grate. The grate is a consumable element of your fireplace and can be replaced by contacting your retailer.

We recommend that chimneys should be swept every six months as a minimum.

GAS FIRES

Gas fires are similar to gas boilers in that they must be fitted by appropriately qualified and registered installers (GAS SAFE – formerly known as CORGI) and must be serviced regularly by a suitably qualified and registered person.

The colours shown in the brochure are as accurate as possible, however, please visit your retailer if colour is critical in order to see samples of the materials you like.

Designs and products are occasionally altered or discontinued without prior notice (a reserved right), so if you are about to set your interior design around a fireplace shown in this brochure, then do please check with your retailer to ensure that there are no material changes.

It is essential that you have your fireplace installed in accordance with Building Regulations and other standard requirements by a competent person experienced in fitting all elements of your fireplace – your retailer will be able to help you select an appropriately qualified installer.

Please ensure that you fully inspect your new fireplace before it is installed as no responsibility for refitting or redecoration can be accepted if defective products are installed.

Due to manufacturing processes, all measurements are approximate and may vary slightly. Please allow for a tolerance of plus or minus 12mm.

Other Brochures From The Capital Fireplace Range



www.capitalfireplaces.co.uk



£5
Edition 7



This brochure is printed on FSC accredited materials from sustainable sources

Authorised dealer:

* Capital Fireplaces Ltd are a British company established since 1992. In common with many other companies we use suppliers from around the world but an increasing number of our products are now sourced and manufactured in the UK.